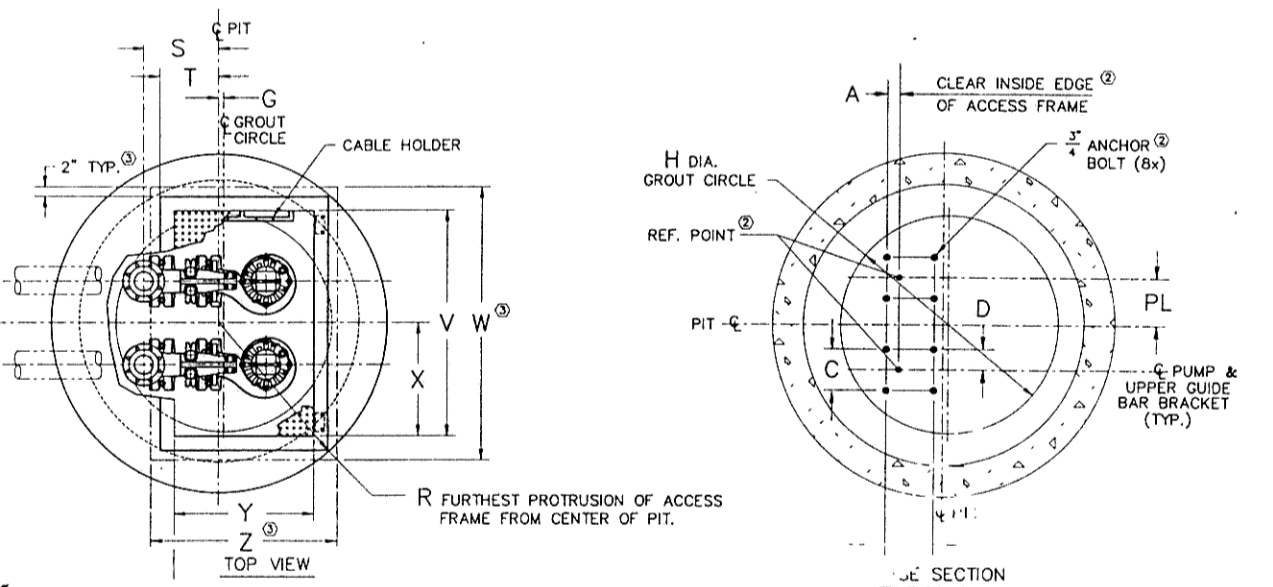
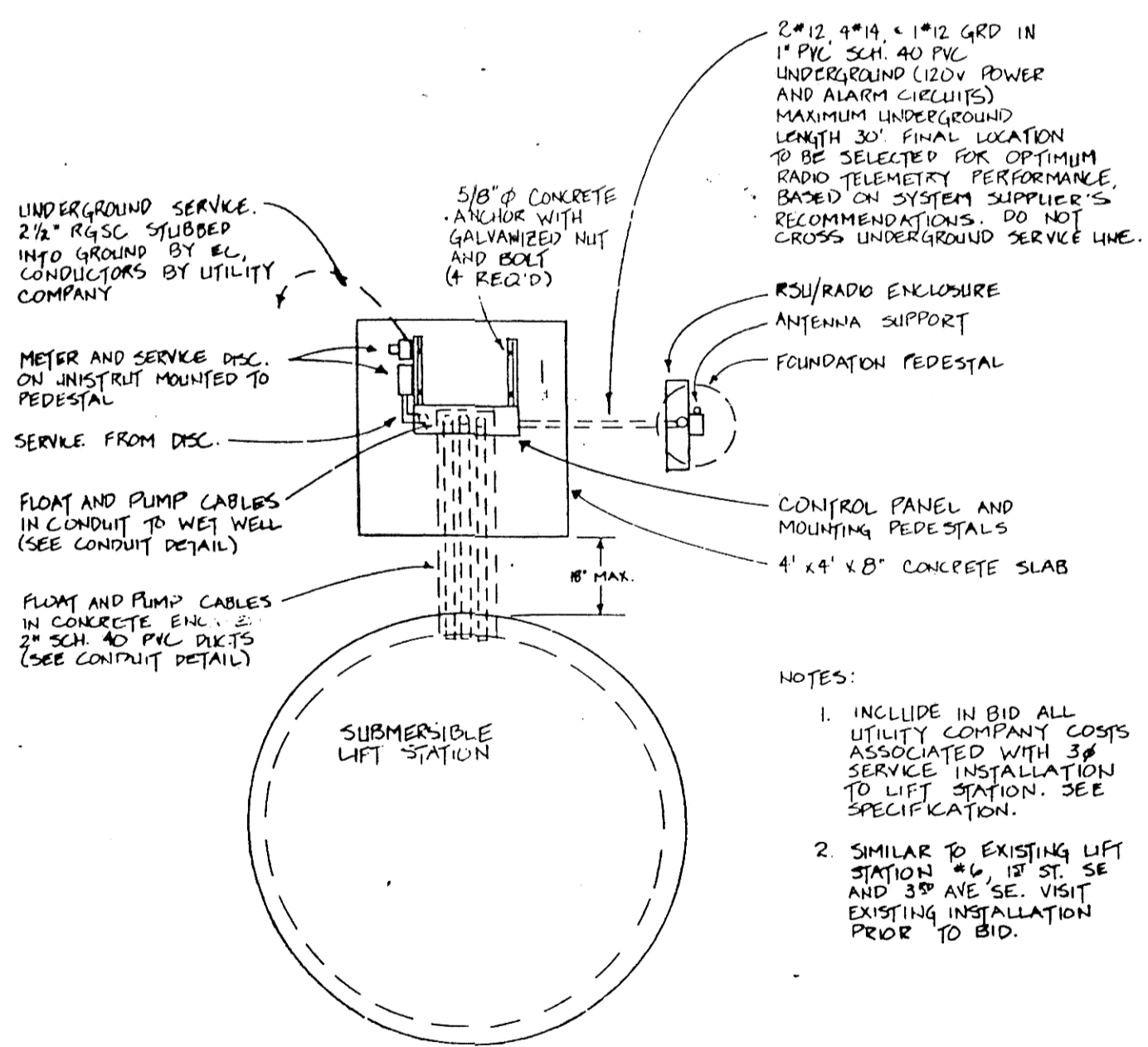


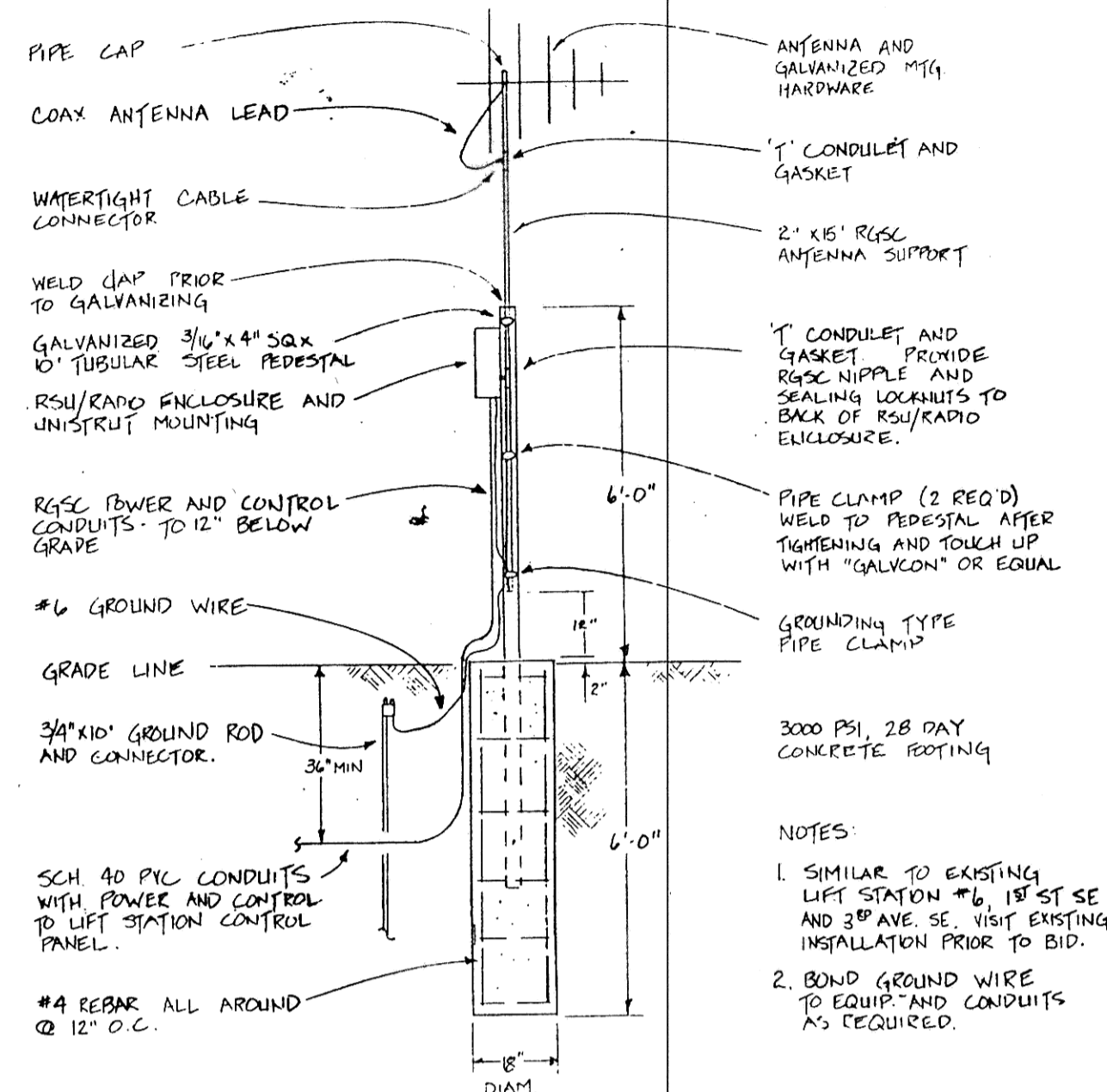
LOCATE ANCHOR BOLTS USING CLEAR INSIDE EDGE OF ACCESS FRAME AND CENTER LINE OF PUMP AS REF. POINT.  
GROUT OPENING FOR ACCESS FRAME



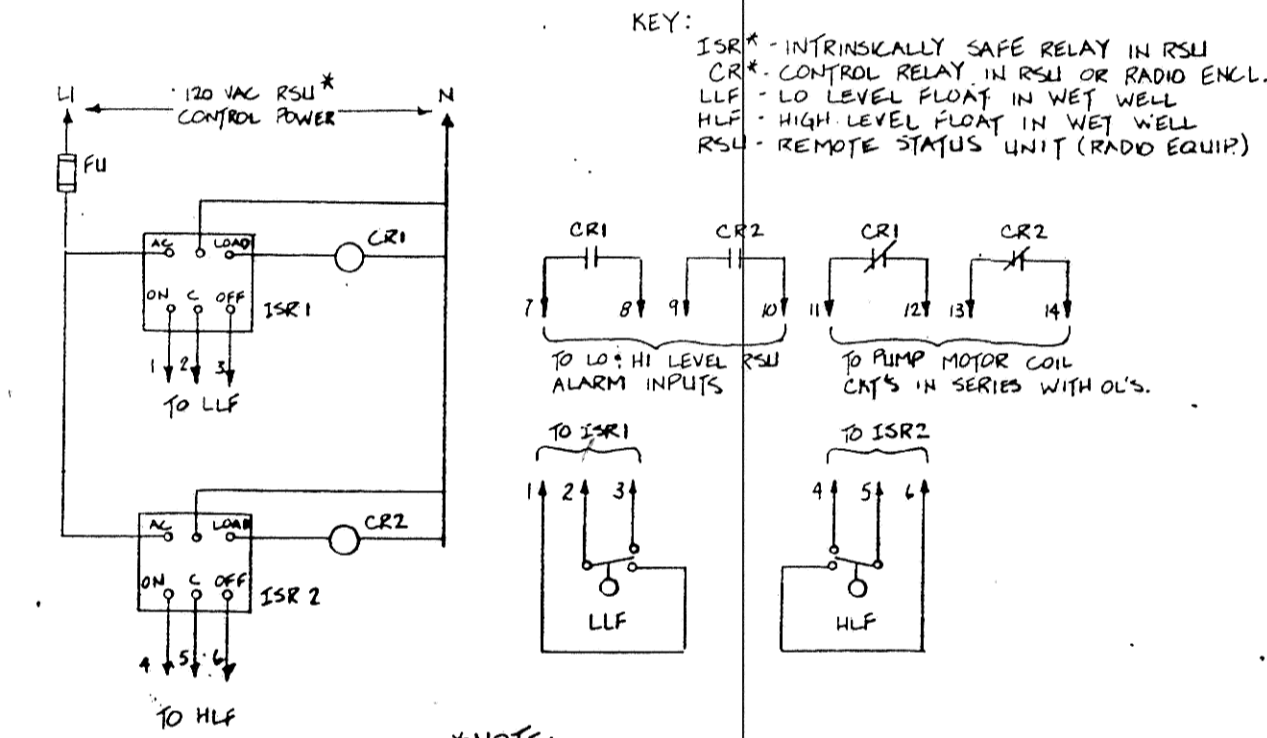
VERSION	STATION												COVER																
	A	B	C	D	F	G	H	R	S	T	U	CV	MW	SIZE	V	W	X	Y	Z	AD									
HV	2	2	9	8	7	2	3	8	15	2	1	46	36	16	8	9	8	60	11	13	9	C	48	58	24	30	40	4	8



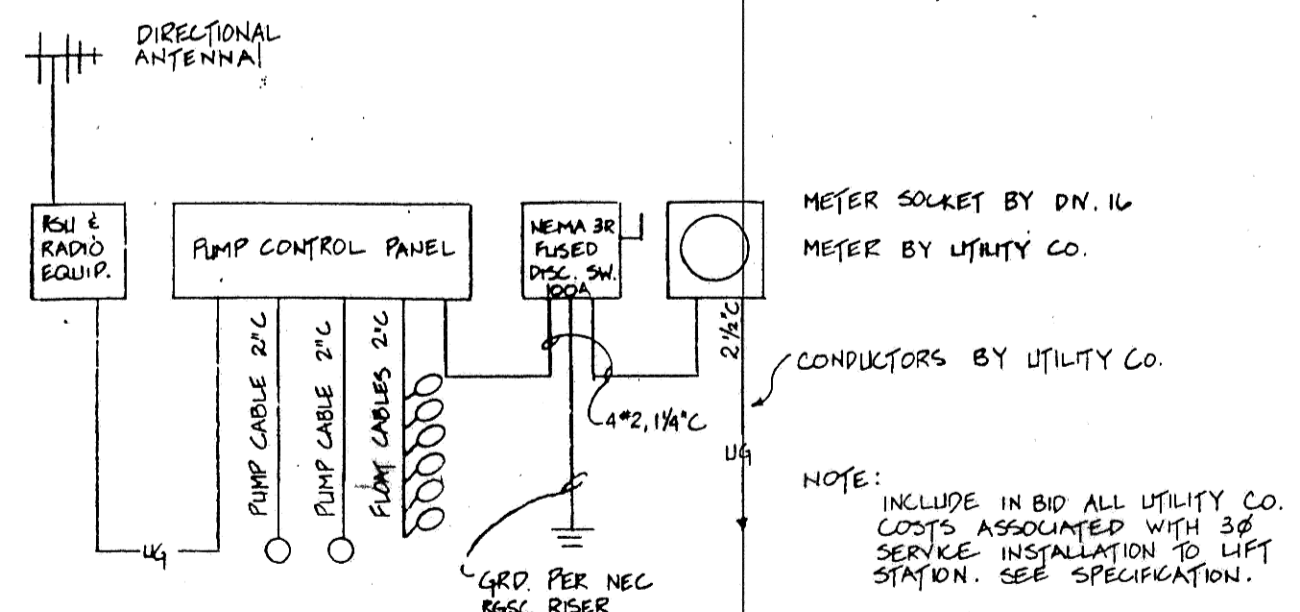
LIFT STATION ELECTRICAL PLAN  
NO SCALE



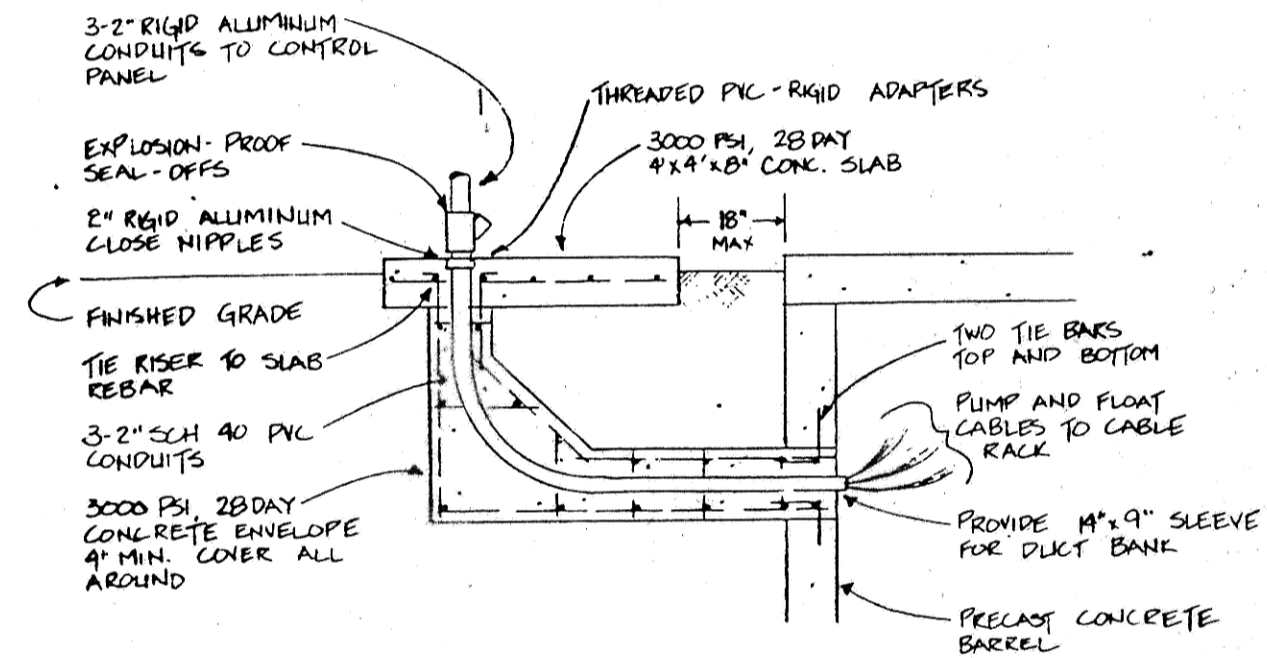
LIFT STATION ANTENNA/RISU DETAIL  
NO SCALE



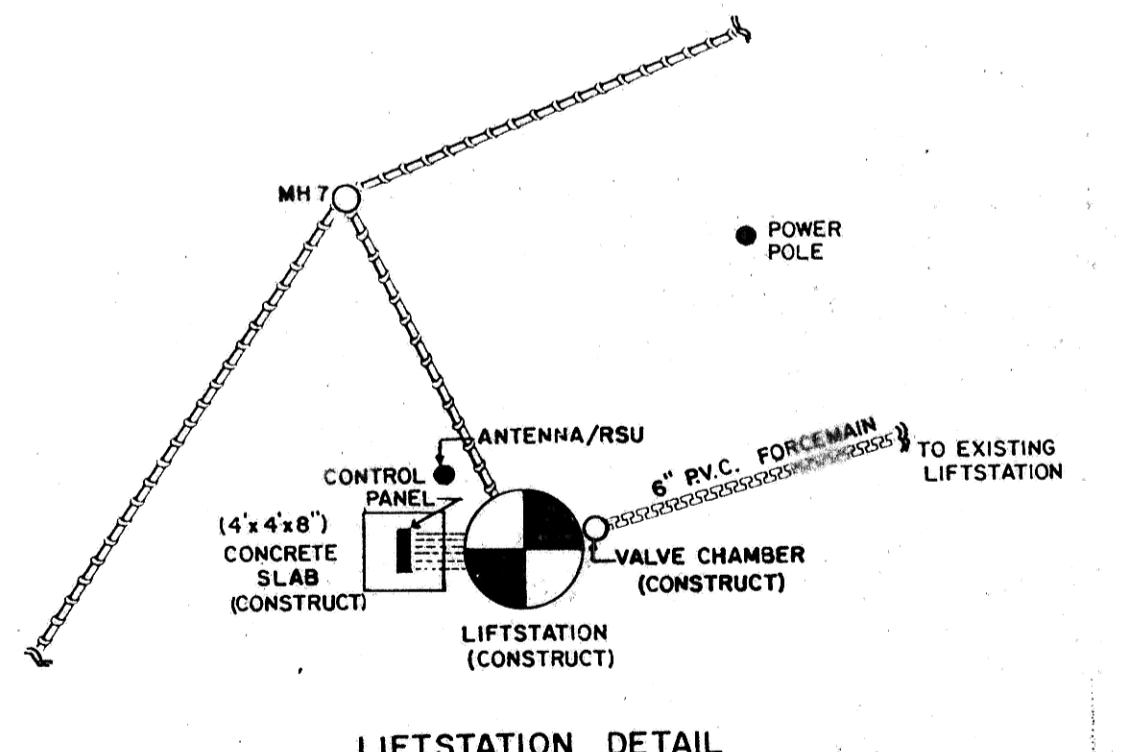
REMOTE LEVEL ALARM DIAGRAM  
NO SCALE



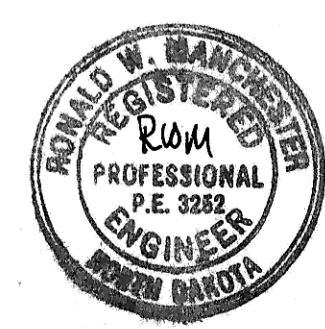
LIFT STATION RISER  
NO SCALE



LIFT STATION CONDUIT DETAIL  
NO SCALE



LIFTSTATION DETAIL



PROJECT NO.	1089	 TOMAN ENGINEERING COMPANY CONSULTING CIVIL & ENVIRONMENTAL ENGINEERS 100 WEST 11th ST., SUITE 200, CLEVELAND, OHIO 44115
DATE		
7-91		