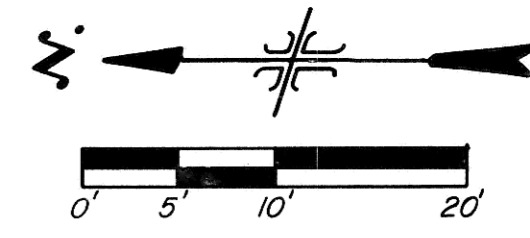
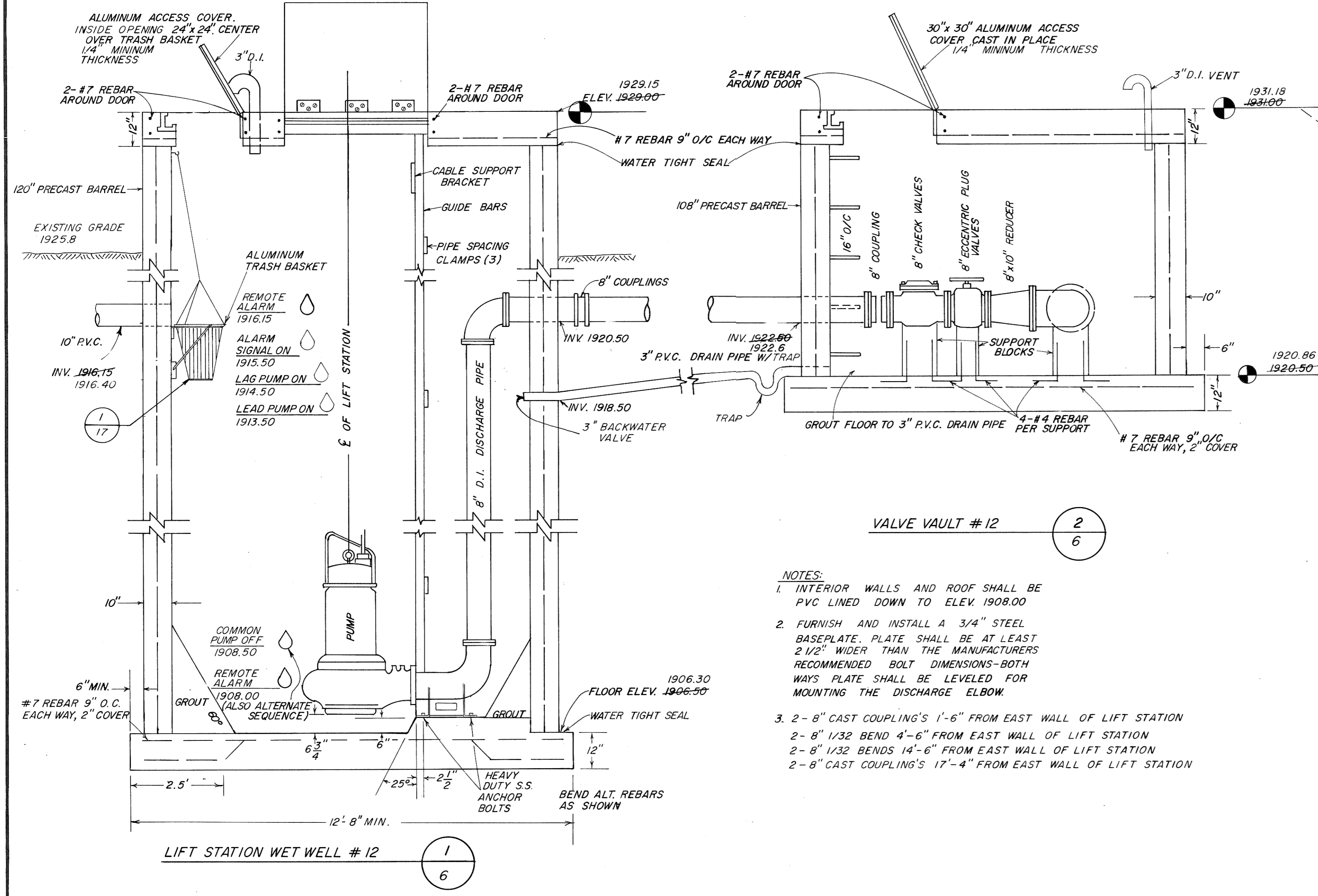
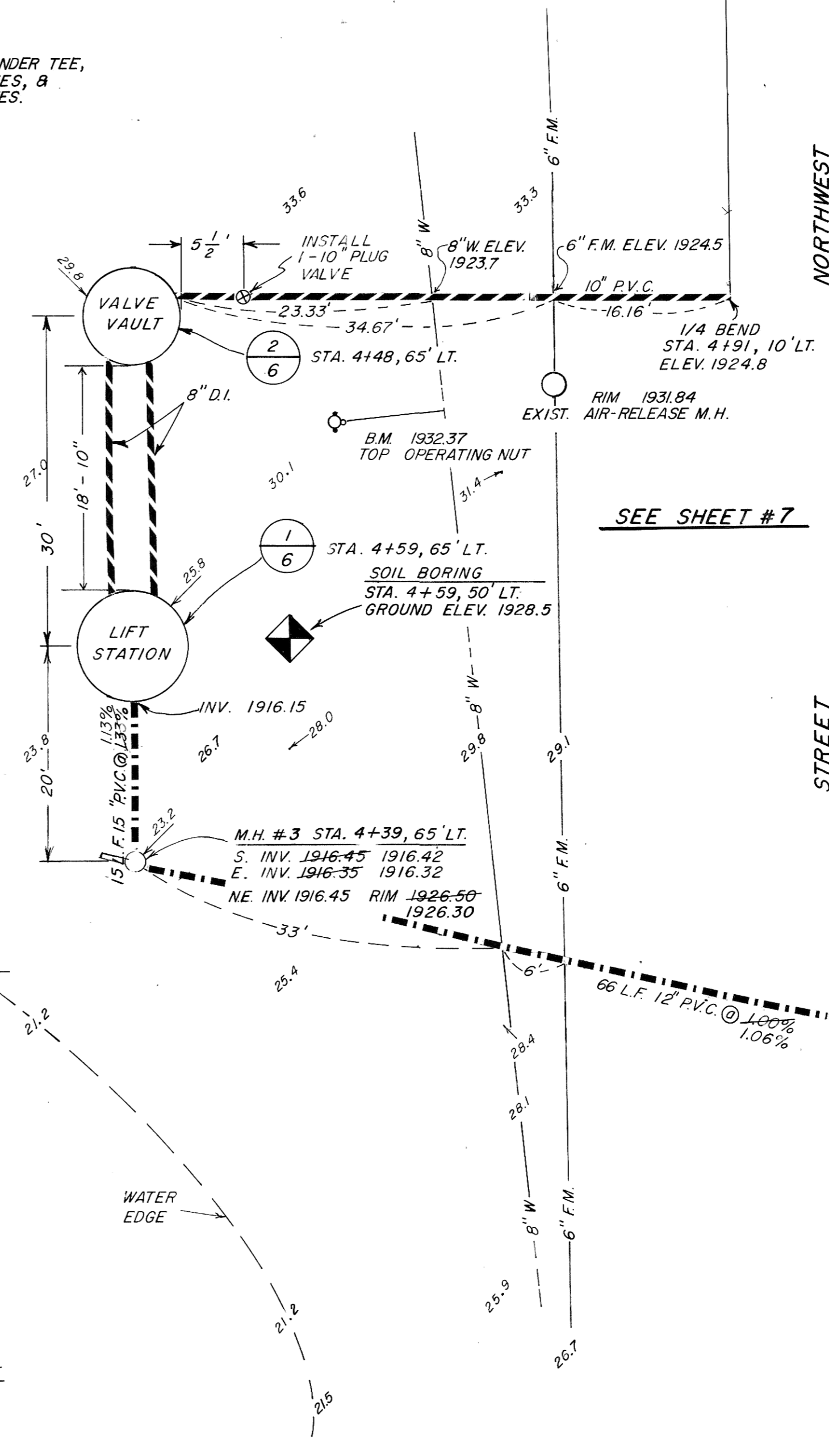
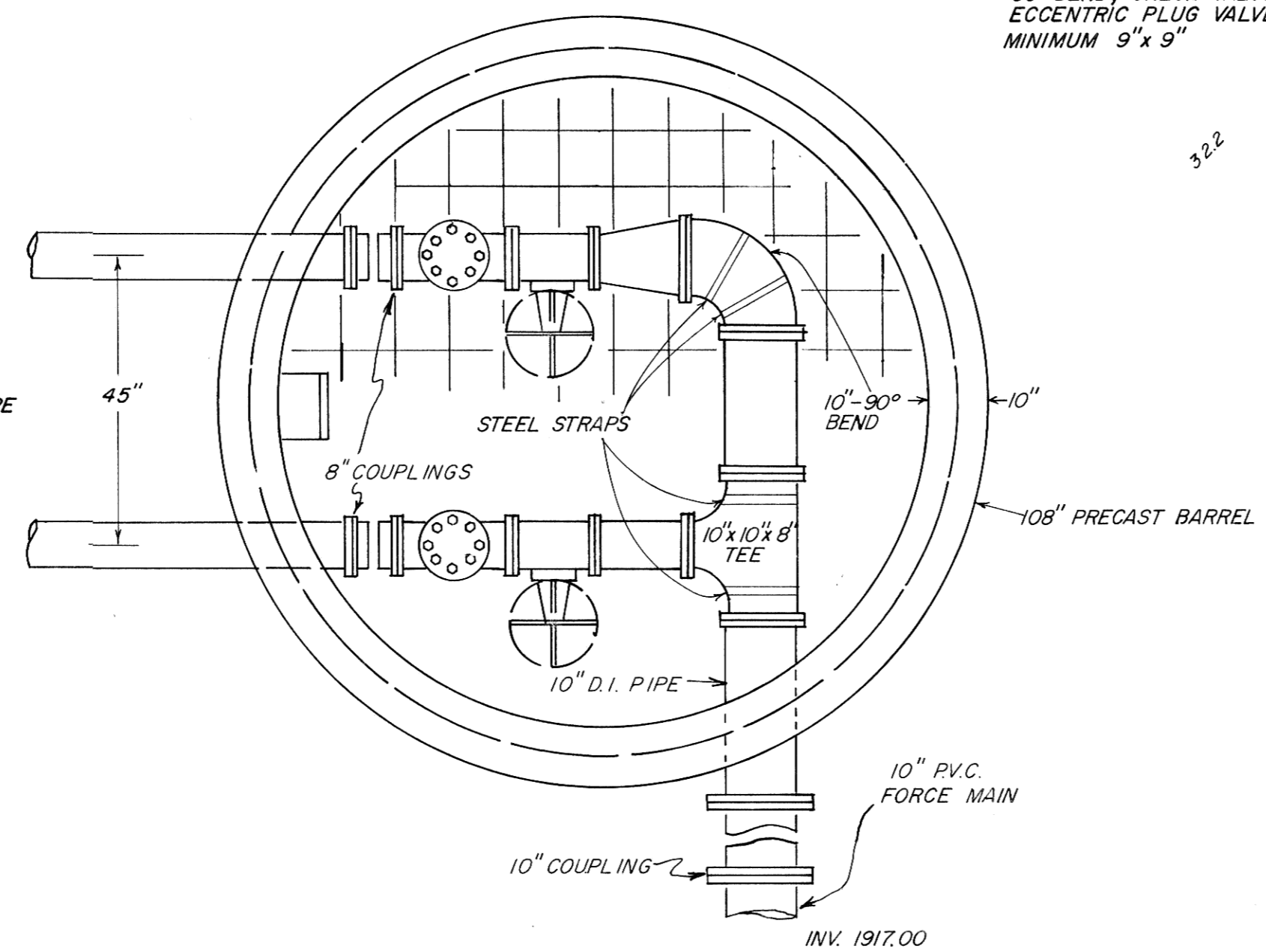
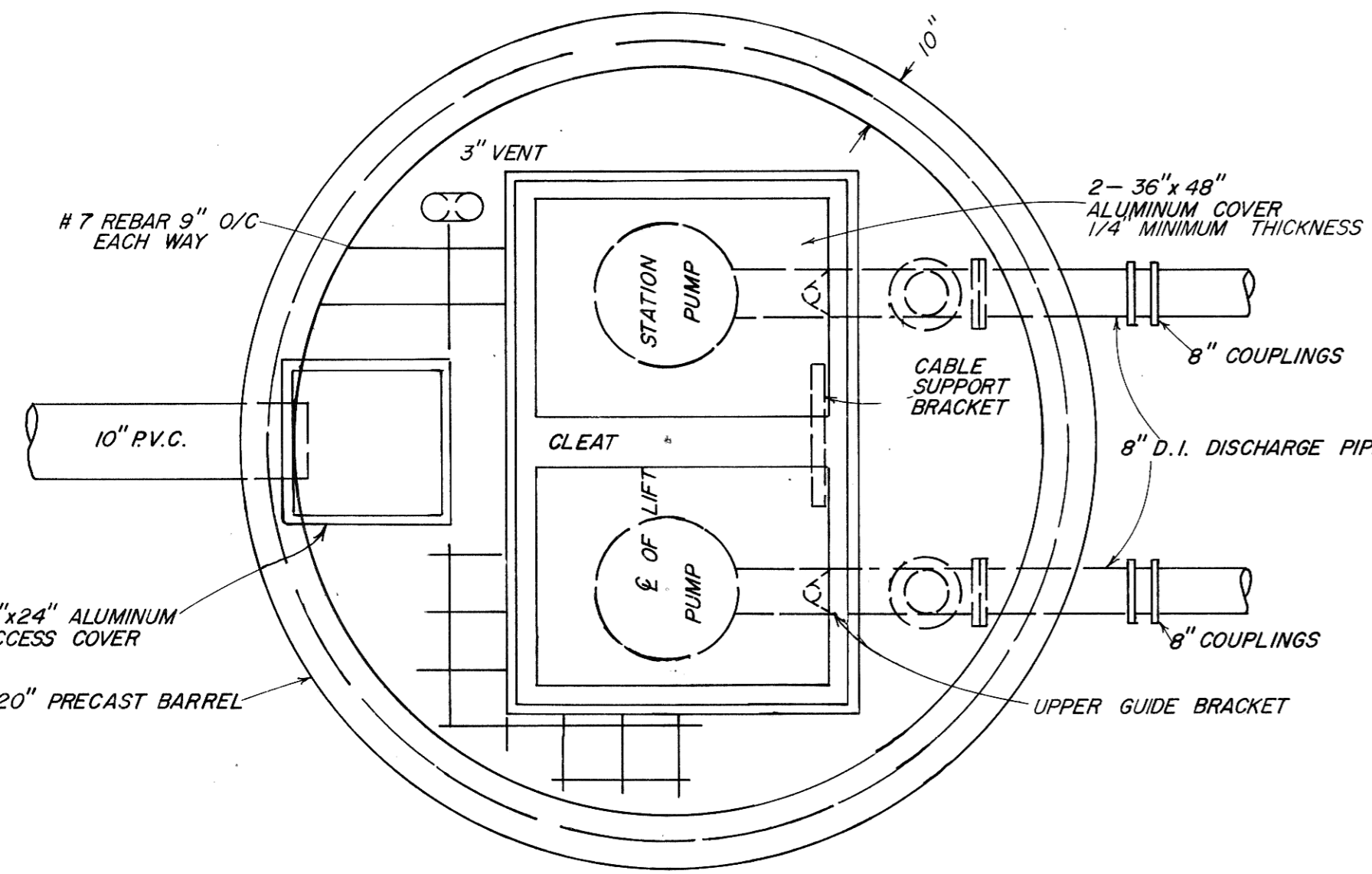


NOTE: STEEL STRAPS TO BE 1" WIDE BY 1/8" THICK.

NOTE: SUPPORT BLOCKS UNDER TEE, 90° BEND, CHECK VALVES, & ECCENTRIC PLUG VALVES. MINIMUM 9" x 9"



NOTE: Contractor to field verify location of all underground utilities prior to construction.



VALVE VAULT # 12 2/6

- NOTES:
- INTERIOR WALLS AND ROOF SHALL BE PVC LINED DOWN TO ELEV. 1908.00
 - FURNISH AND INSTALL A 3/4" STEEL BASEPLATE. PLATE SHALL BE AT LEAST 2 1/2" WIDER THAN THE MANUFACTURERS RECOMMENDED BOLT DIMENSIONS-BOTH WAYS PLATE SHALL BE LEVELED FOR MOUNTING THE DISCHARGE ELBOW.
 - 2-8" CAST COUPLING'S 1'-6" FROM EAST WALL OF LIFT STATION
2-8" 1/32 BEND 4'-6" FROM EAST WALL OF LIFT STATION
2-8" 1/32 BENDS 14'-6" FROM EAST WALL OF LIFT STATION
2-8" CAST COUPLING'S 17'-4" FROM EAST WALL OF LIFT STATION

SUMMARY OF QUANTITIES	
LIFT STATION # 12	L.S.
15" P.V.C. SEWER	15 L.F.
12" P.V.C. SEWER	66 L.F.
MANHOLE	1 EA.
8" D.I. FORCEMAIN	35 44 L.F.
10" P.V.C. FORCEMAIN	51 50 L.F.
10" PLUG VALVE	1 EA.
VALVE VAULT # 12	L.S.

PHASE 2

REV.	DATE	DESCRIPTION	BY

MANDAN INTERCEPTOR 1983
MANDAN, NORTH DAKOTA

NEW LIFT STATION NO. 12

ULTEIG ENGINEERS, INC. CONSULTING ENGINEERS • ARCHITECT
FARGO • BISMARCK • MINNEAPOLIS

DRAWN BY: T.R.	SCALE: AS SHOWN	PROJECT NO. 4160.01
CHECKED BY: SD	DATE: AUGUST 1983	SHEET 6 of 20
APPROVED BY: KR		