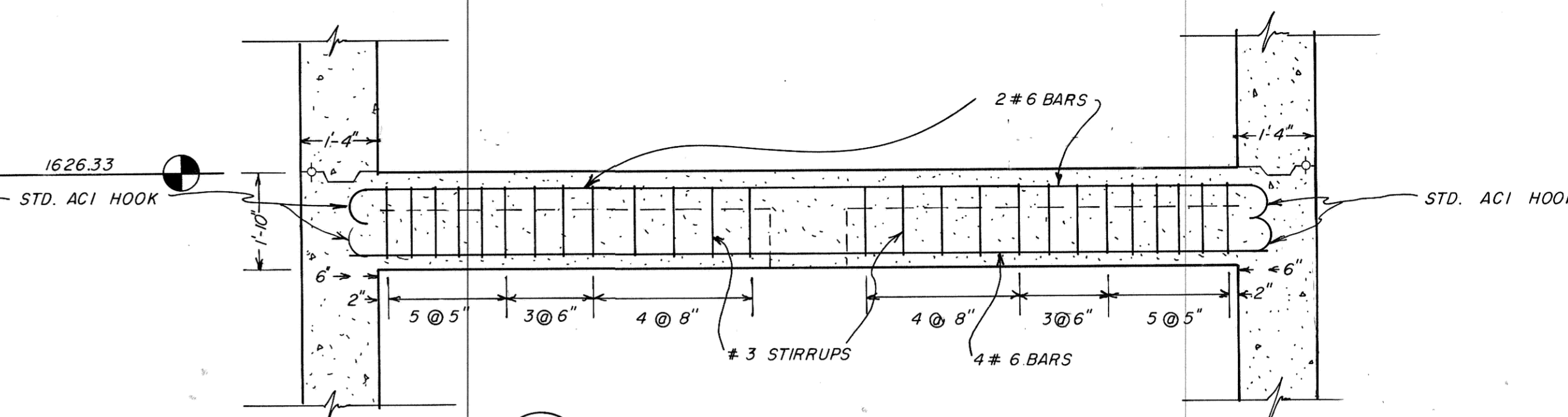
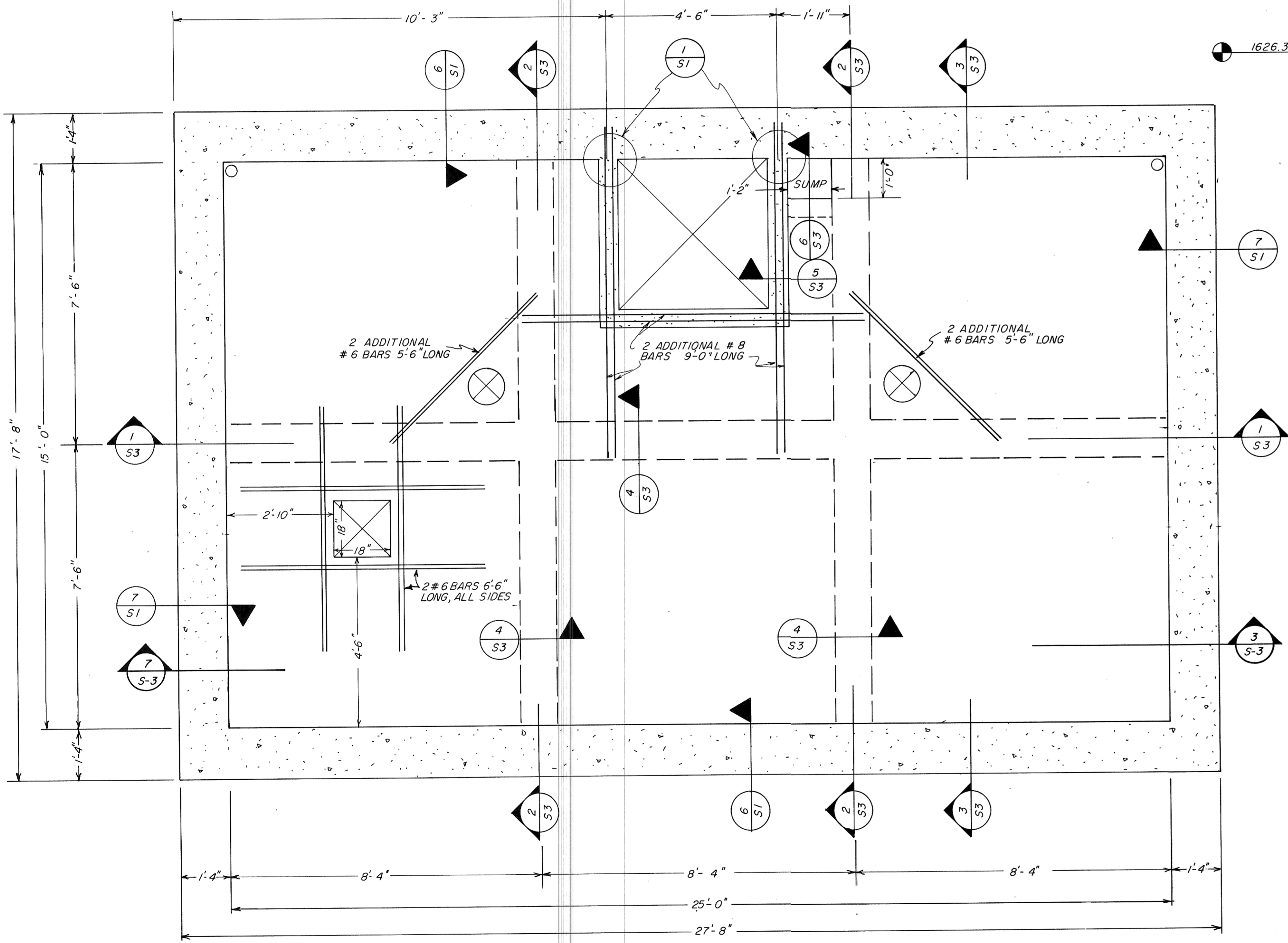


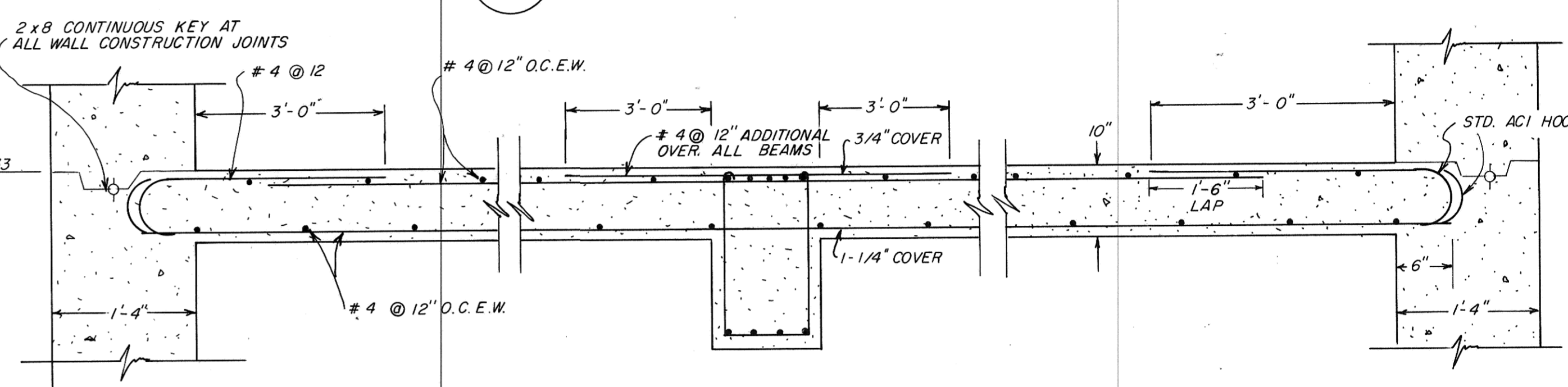
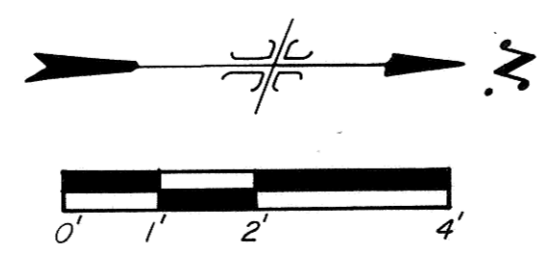
1
S3
BEAM SECTION



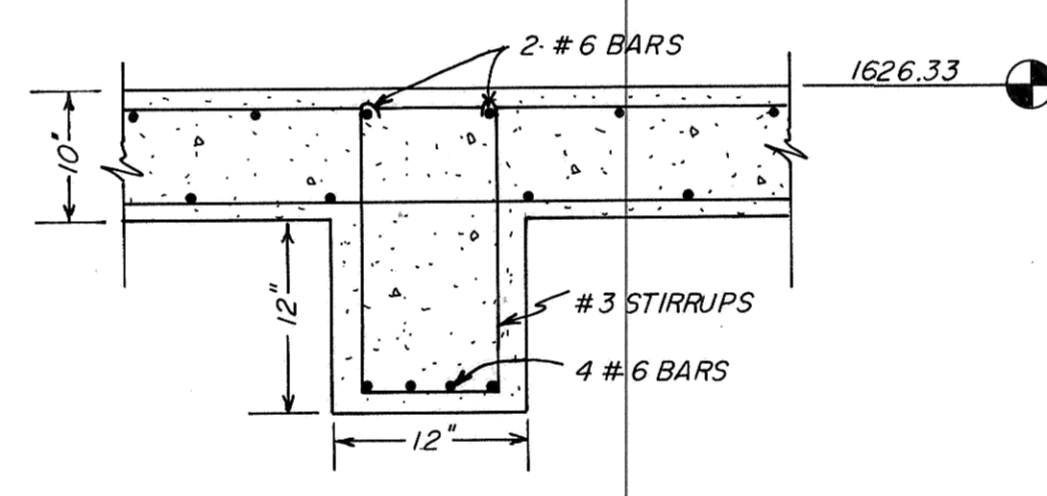
2
S3
BEAM SECTION



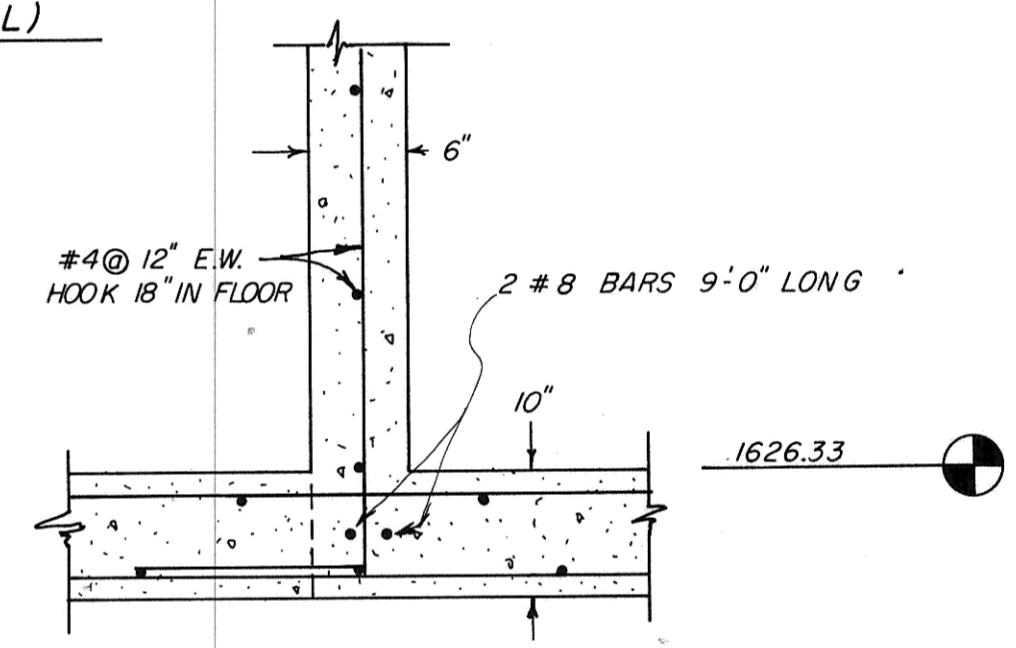
STRUCTURAL FLOOR PLAN AT ELEVATION 1626.33



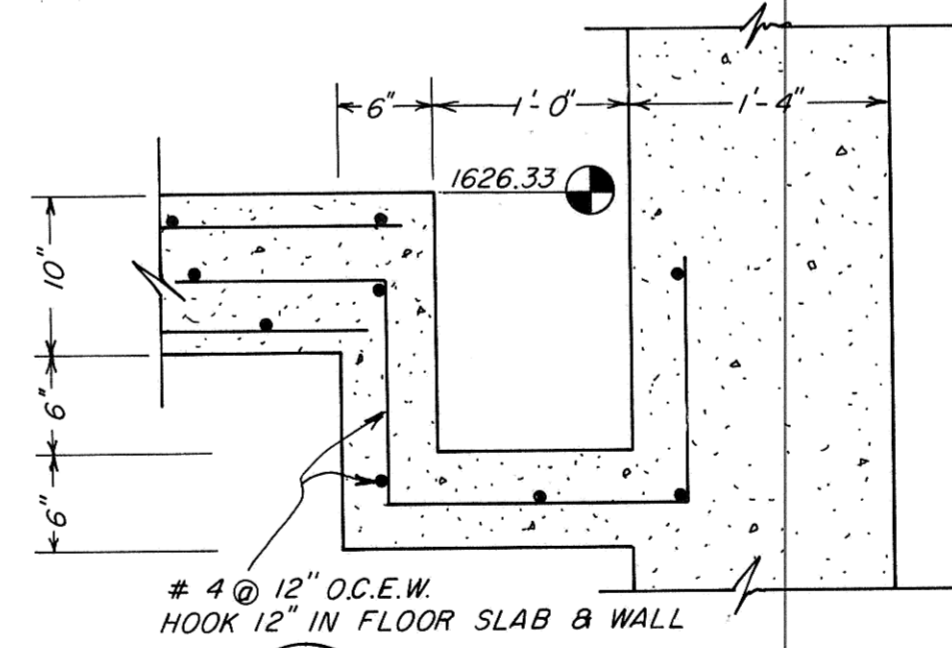
3
S3
FLOOR SLAB REINFORCING (TYPICAL)
N.T.S.



4
S3
BEAM SECTION
N.T.S.



5
S3
WALL SECTION
N.T.S.



6
S3
SUMP DETAIL
N.T.S.

PHASE III

REV.	DATE	DESCRIPTION	BY

**MANDAN INTERCEPTOR 1984
MANDAN, NORTH DAKOTA**

MASTER PUMPING STATION
STRUCTURAL FLOOR PLAN AT ELEVATION 1626.33

ULTEIG ENGINEERS, INC. CONSULTING ENGINEERS & ARCHITECT
FARGO • BISMARCK • MINNEAPOLIS

SCALE: AS SHOWN PROJECT NO. 4241
DRAWN BY: D.J.M. DATE: MAY 1984 SHEET S3 of



Record Drawing