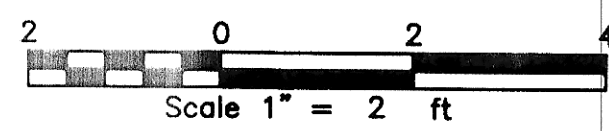
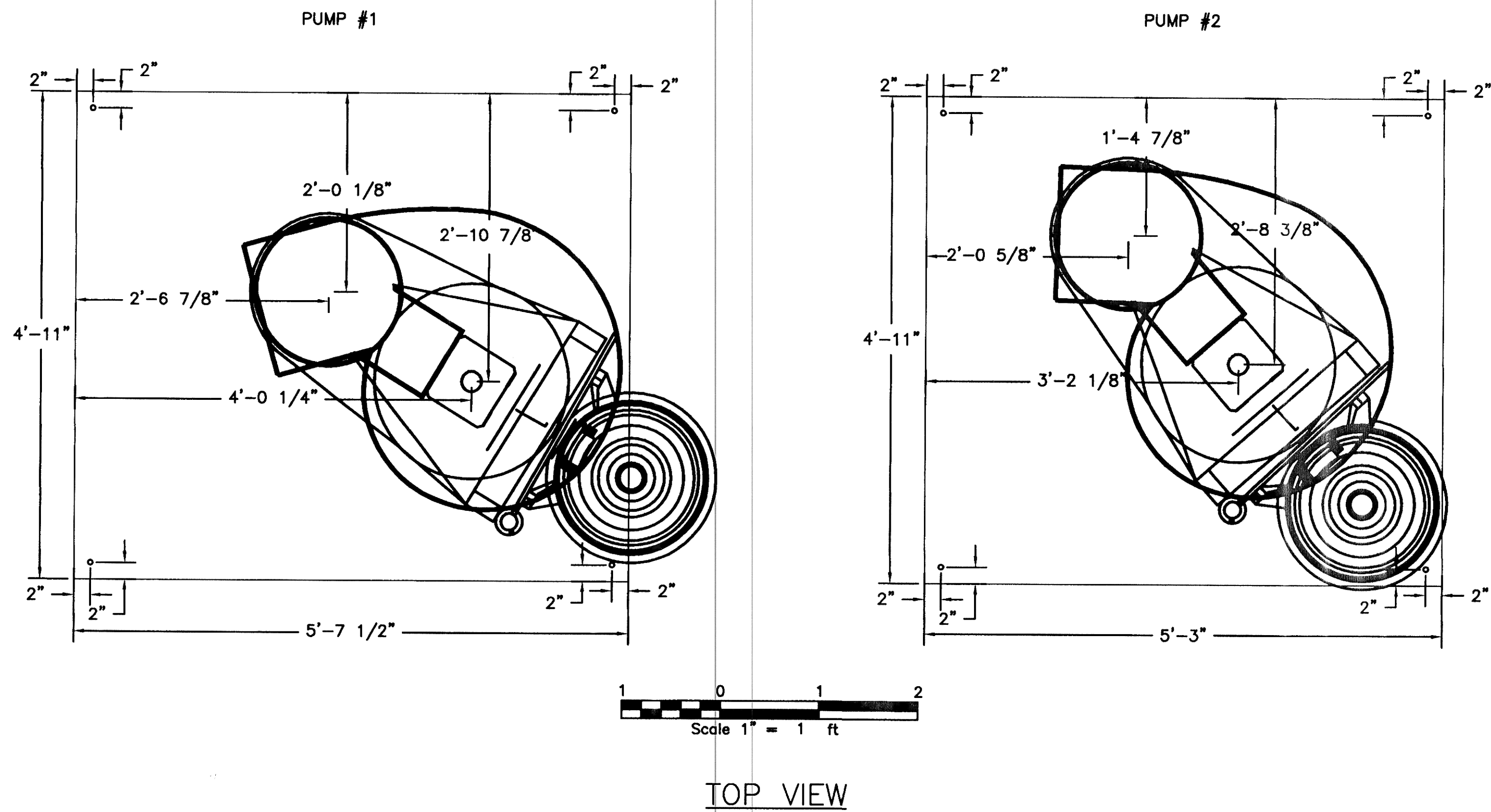
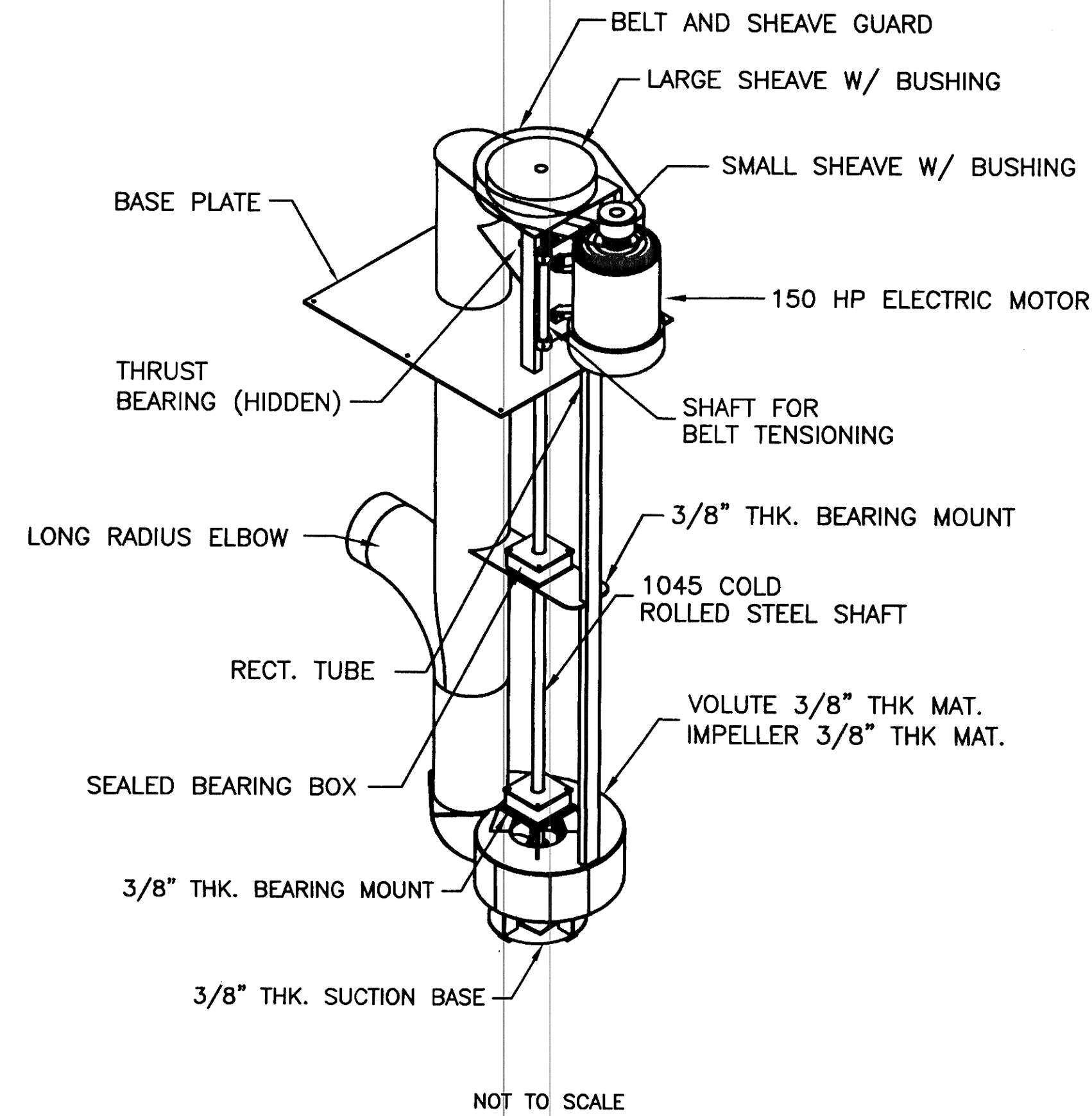
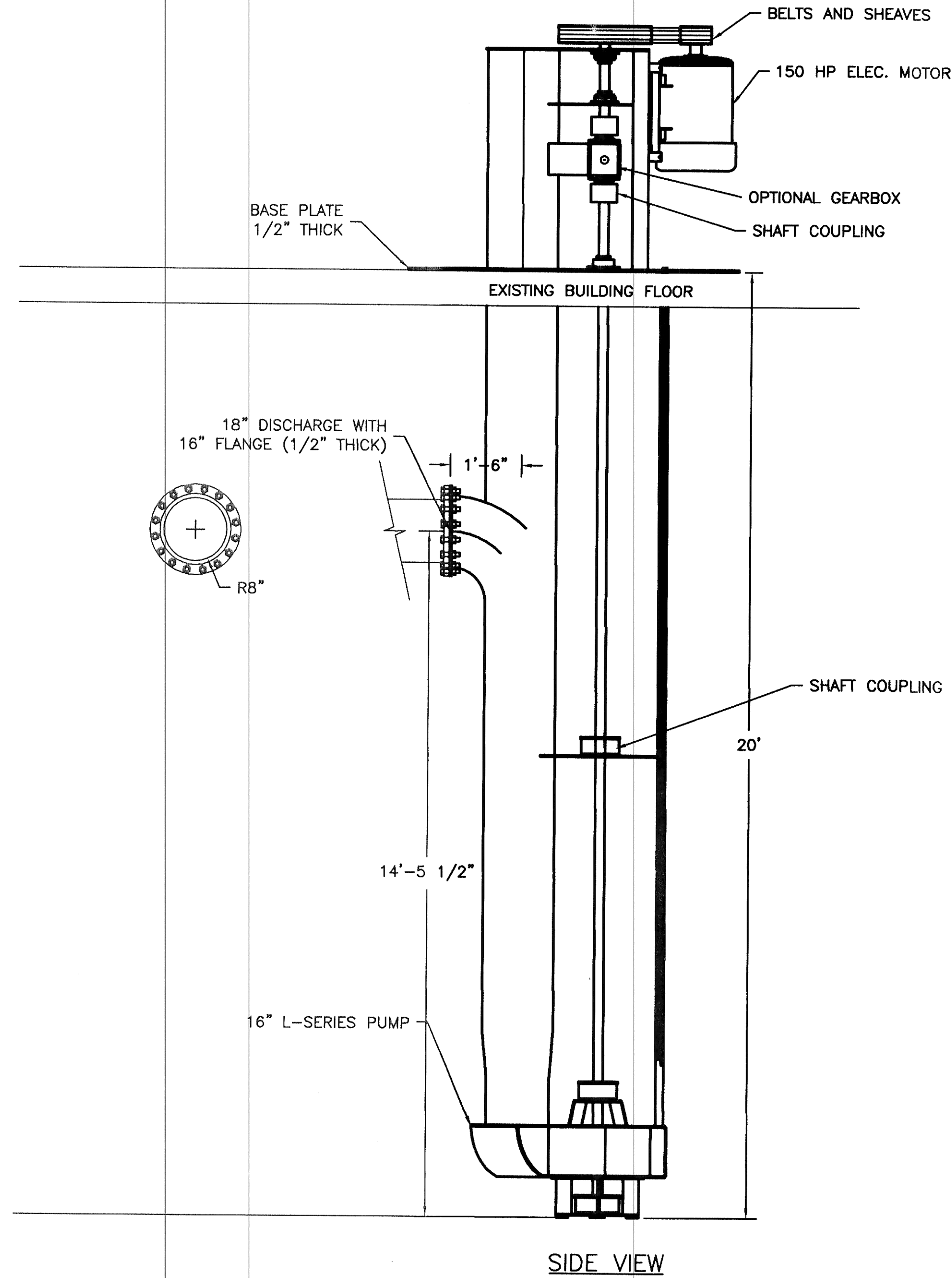


# AS BUILT 16" L-SERIES VERTICAL DUAL INPUT PUMP



PUMP DETAIL PROVIDED BY:  
**SRS** P.O. Box 1051 PHONE: 800-442-7867  
 Crisafulli Dr. Glendive, MT 59330 USA FAX: (406) 365-8088  
 Crisafulli Sludge Removal Systems

DATE: 2/14/00 BY: JSN DWG #: CPC-20190  
 DATE: 08/22/01 BY: GCS DWG #: 01398

-----PROPRIETARY INFORMATION-----  
 The data and information contained in this document is considered proprietary and shall not be reproduced, released, or disclosed, in whole or in part, without the prior written consent of SRS Crisafulli Inc. of Glendive, Montana.



TOMAN ENGINEERING COMPANY  
 CONSULTING CIVIL ENGINEERS  
 908 2ND ST. N.W. • MANDAN, NORTH DAKOTA 58554 • 701-663-6463

PROJECT: STORM WATER PUMP REPLACEMENT  
 16" L-SERIES VERTICAL DUAL INPUT PUMP  
 MANDAN, ND

NO.	DATE	BY	REVISIONS
1	9/17/2001	CE	ISSUED FOR CONSTRUCTION
2	9/17/2001	CE	REVISED
3	9/17/2001	CE	REVISED

TITLE: AS BUILT STORM WATER PUMP REPLACEMENT

SHEET NUMBER  
**16**  
 OF 17 SHEETS