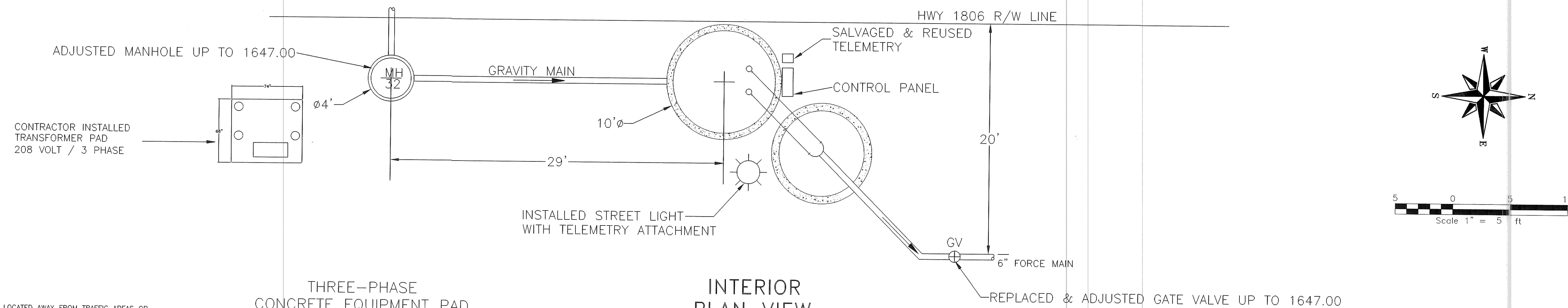


# HIGHWAY 1806 SANITARY LIFT STATION

## OVERALL PLAN VIEW OF SATELLITE STATION



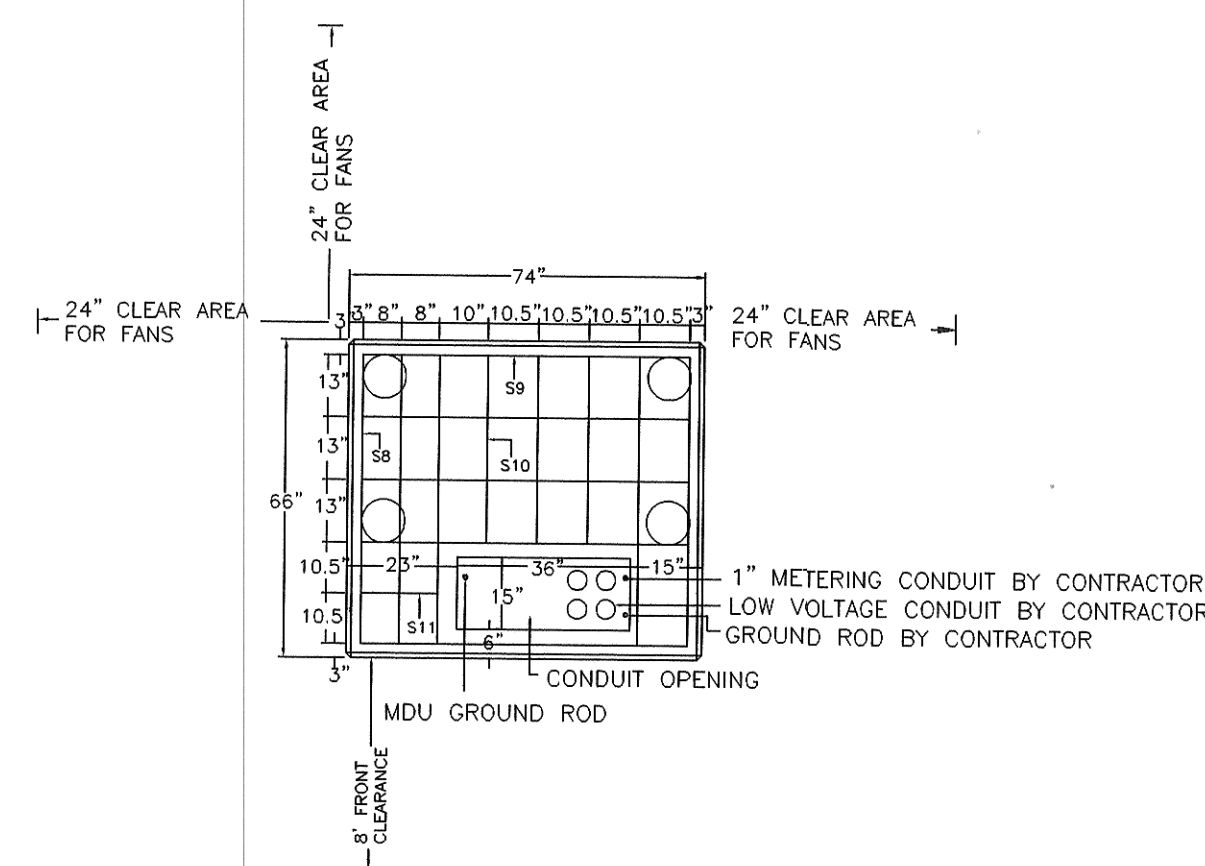
### LOCATION

1. A TRANSFORMER SHOULD BE LOCATED AWAY FROM TRAFFIC AREAS OR PROTECTED WITH SUITABLE BARRIER SUCH AS CONCRETE FILLED PIPE, PROVIDED BY CONTRACTOR.
2. CONSIDER OVERHEAD CLEARANCE WHEN LOCATING PAD
3. COMPACT SOIL TO AVOID TILTING AND SETTLING COLUMNS REQUIRED EXCEPT ON FIRM GROUND.

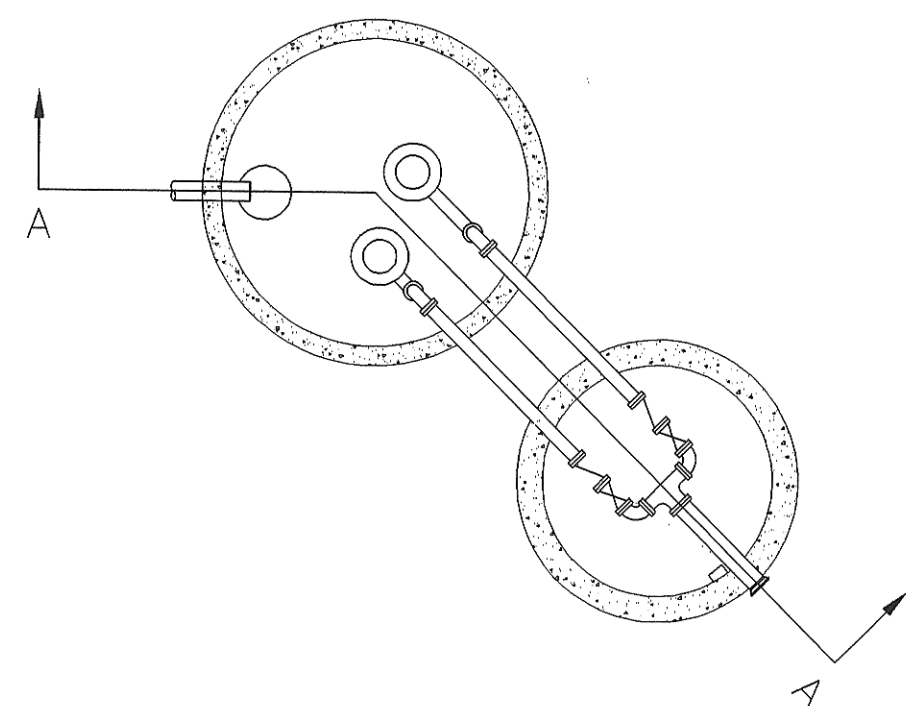
### NOTES:

1. REINFORCING STEEL MUST BE SECURED WITH TIE WIRE AT ALL INTERSECTIONS.
2. ALL EXPOSED EDGES AND CORNERS TO HAVE 1" CHAMFER.
3. 1.117 CUBIC YARDS OF CONCRETE.
4. LOW VOLTAGE CONDUIT BY CONTRACTOR MUST BE INSTALLED WITHIN 14" AREA NOTED.
5. ENTIRE PAD MUST BE 5' FROM ANY BUILDING.

### THREE-PHASE CONCRETE EQUIPMENT PAD



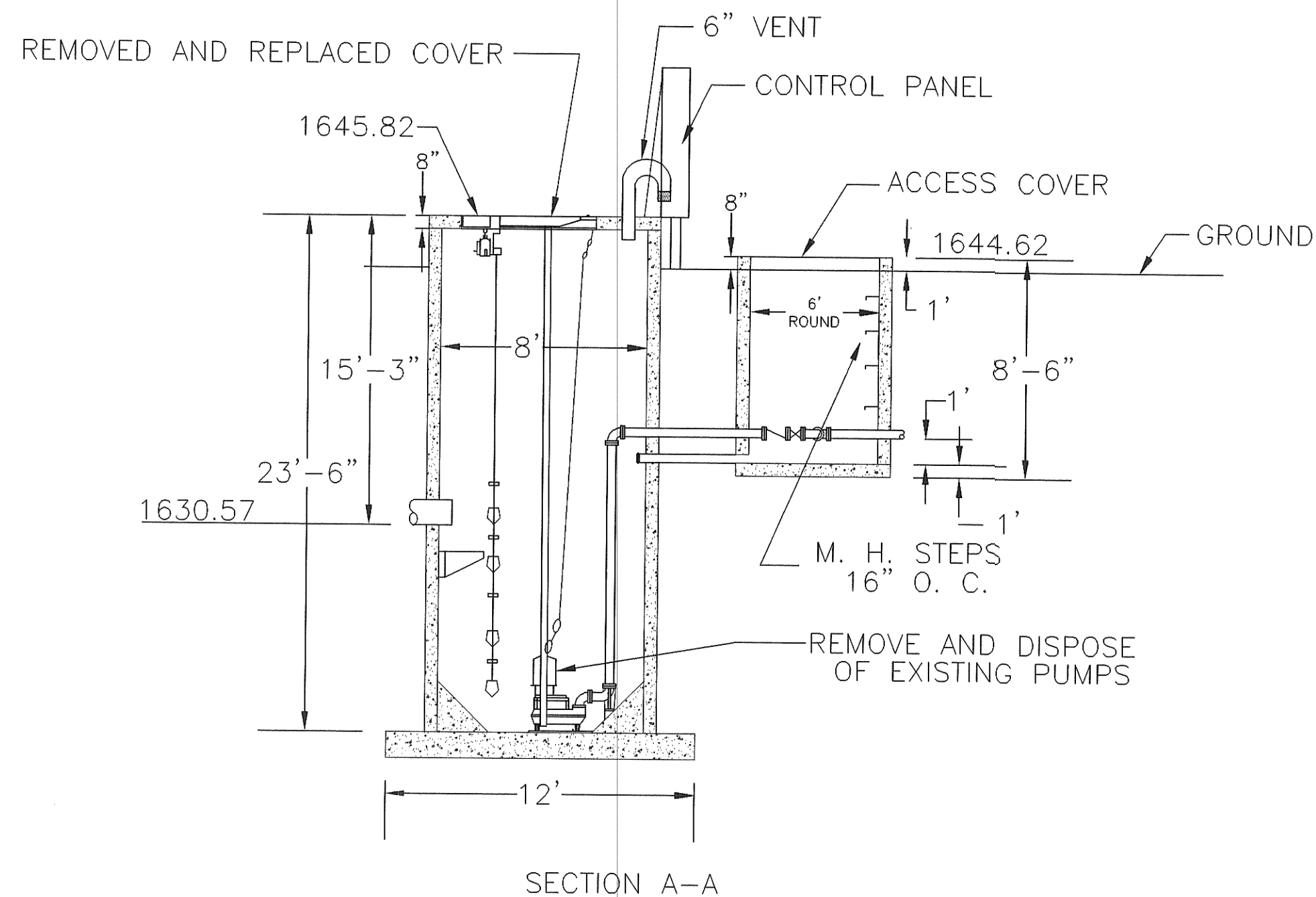
### INTERIOR PLAN VIEW



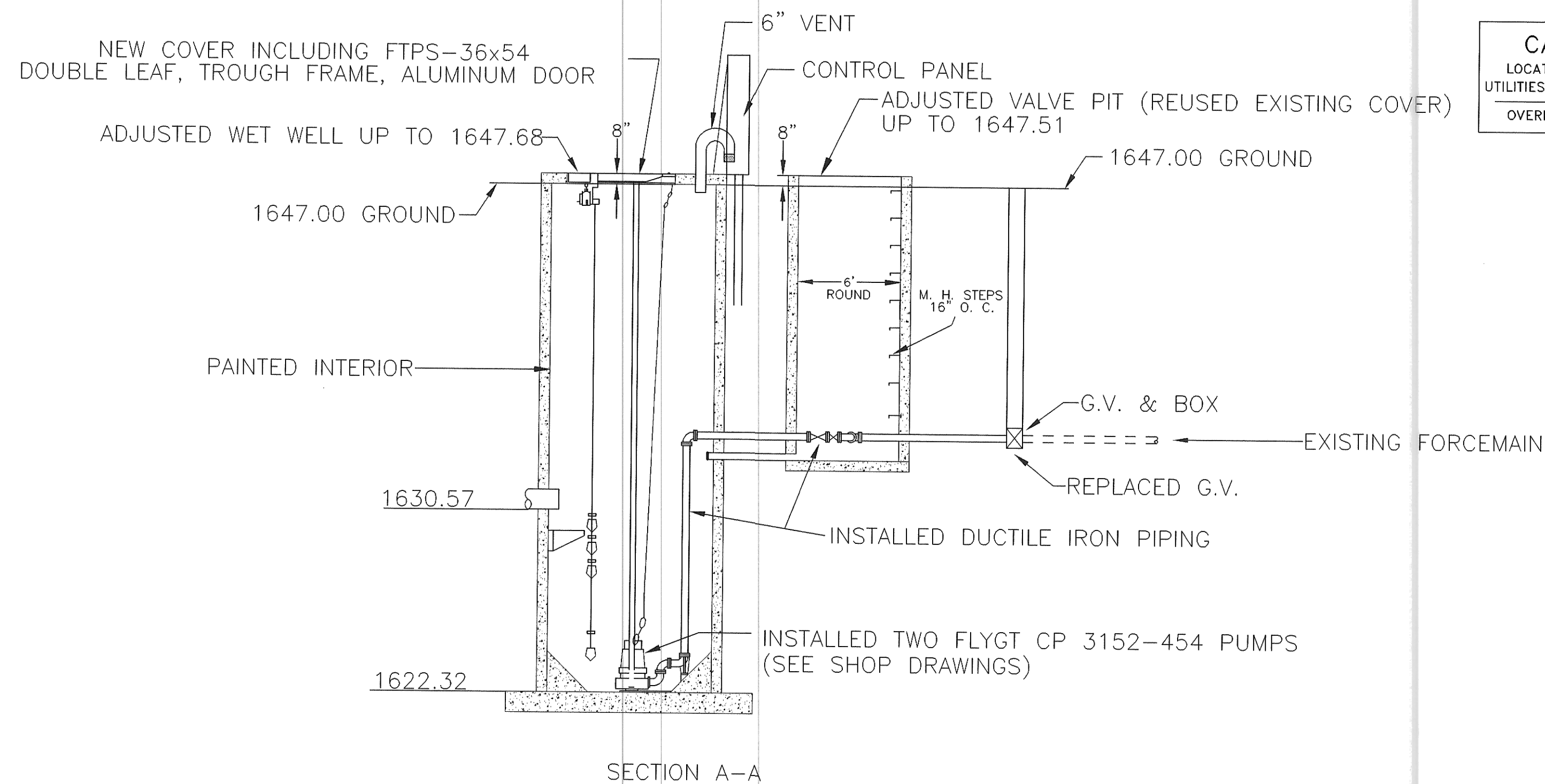
MARK	QUANTITY	SIZE	LENGTH
S8	5	1/2"	6"
S9	5	1/2"	70"
S10	3	1/2"	41"
S11	1	1/2"	18"

- NOTE:  
1. SITE GRADING BY OTHERS  
2. PAVING BY OTHERS

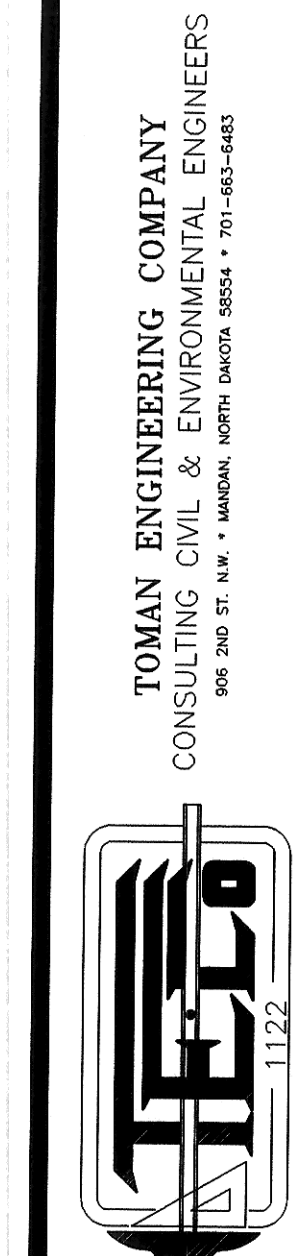
### PREVIOUS SECTION VIEW



### INSTALLED SECTION VIEW



**CAUTION**  
LOCATE ALL BURIED UTILITIES BEFORE DIGGING OVERHEAD POWER



PROJECT: WATER & SEWER DISTRICT NO. 40  
AREA "A"  
CITY PROJECT NO. 96-9

NO.	DATE	BY	DATE	NO.	DATE
1	AS-BUILTS	AR	2/99	1	2/97

SHEET NUMBER  
**2**  
OF 11 SHEETS