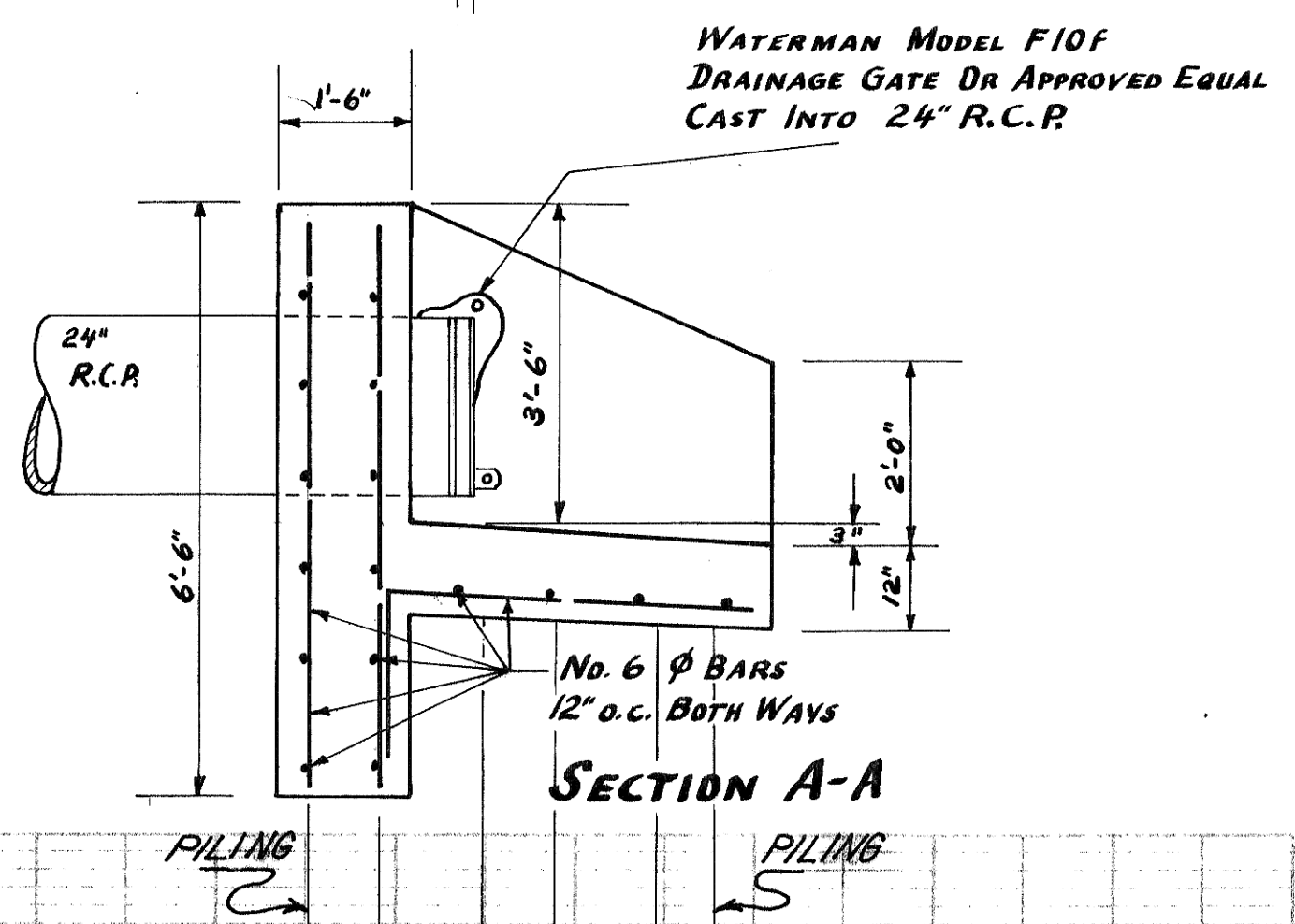
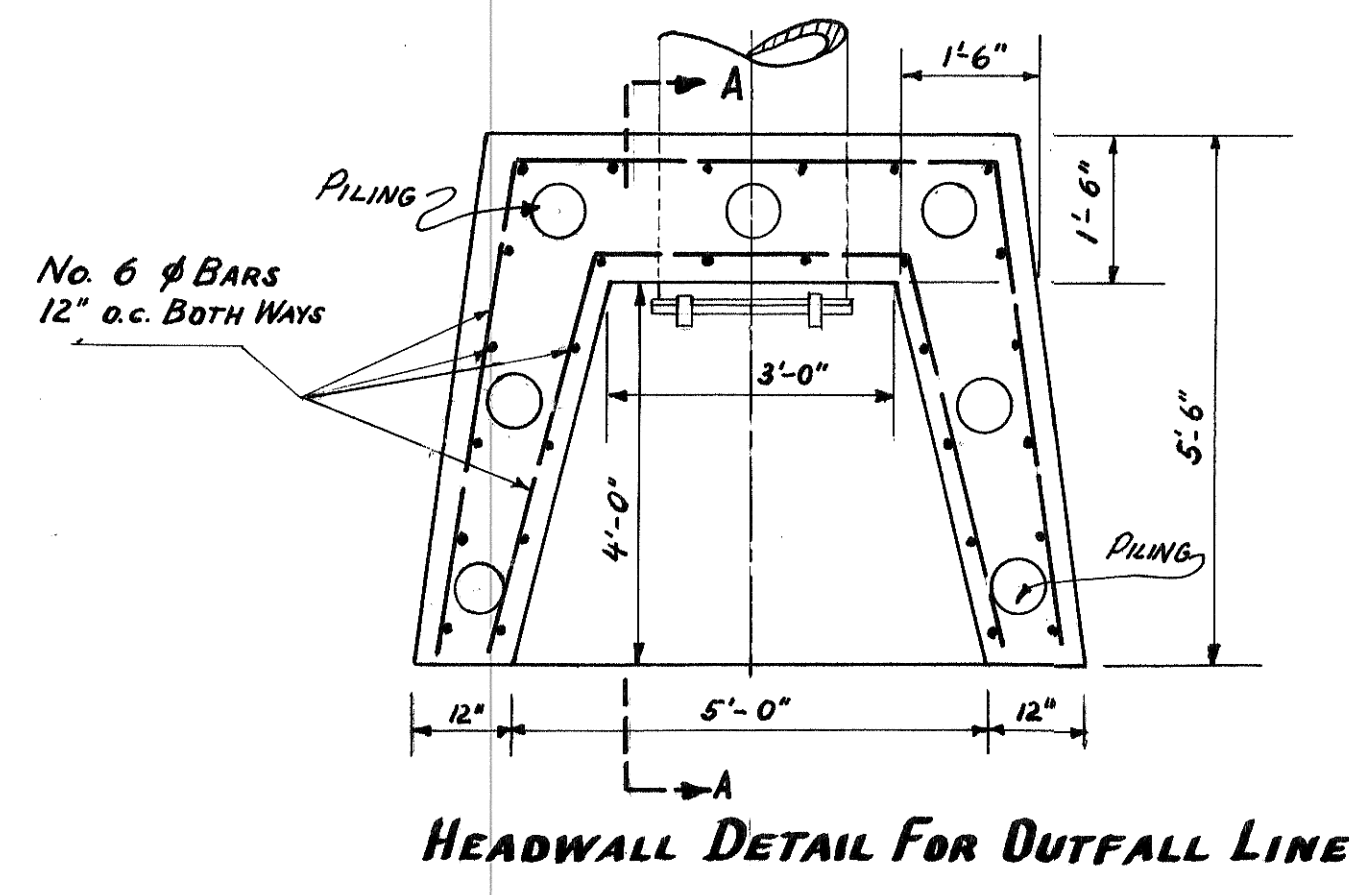
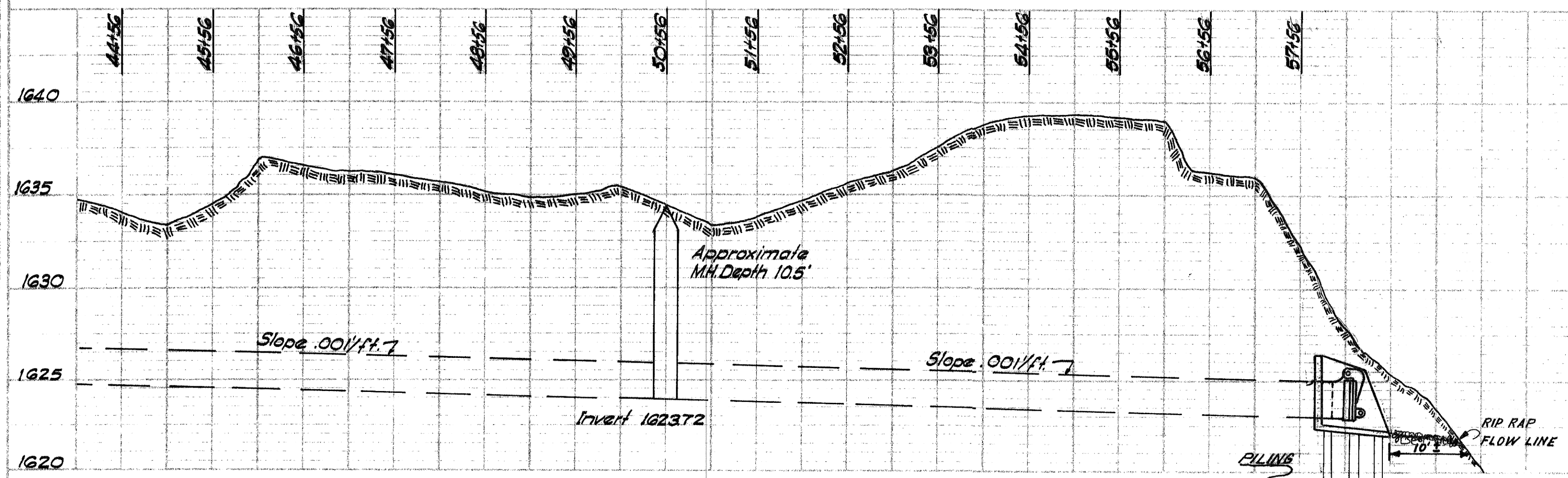
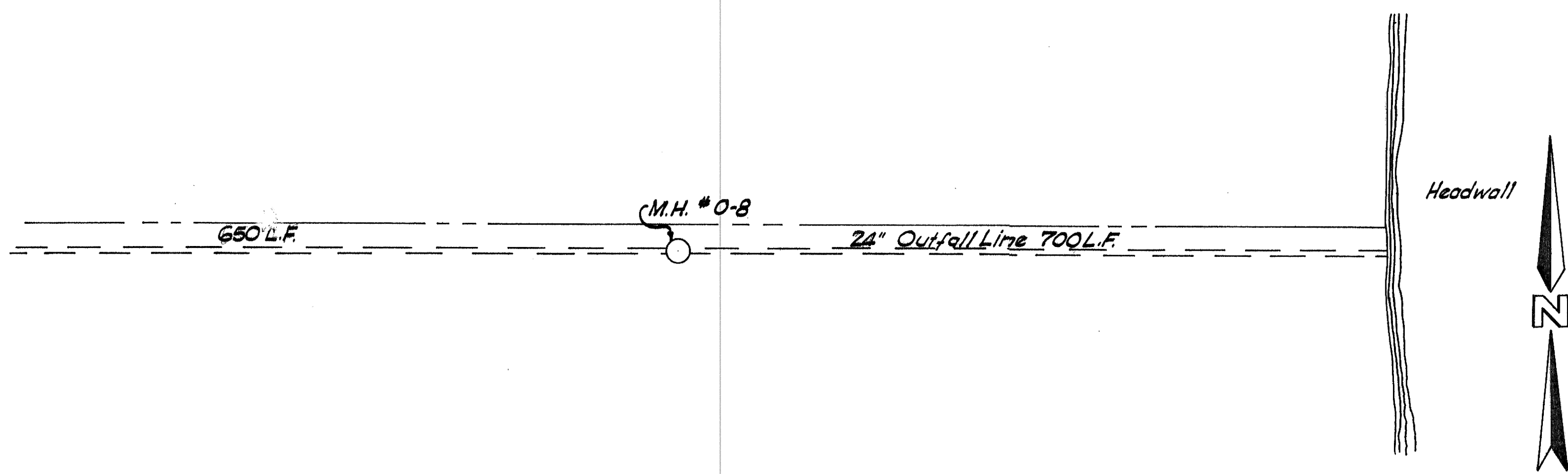


PLAN  
 DATE: 9-15-1966  
 DRAWN BY: G. J. TOMANN  
 CHECKED BY: G. J. TOMANN  
 NO. 1

PROFILE  
 DATE: 9-15-1966  
 DRAWN BY: G. J. TOMANN  
 CHECKED BY: G. J. TOMANN  
 NO. 1



REVISED  
 Date: 9-15-1966  
**DESTROY**  
 PREVIOUS PRINTS  
 GEORGE J. TOMANN  
 Consulting Engineer

