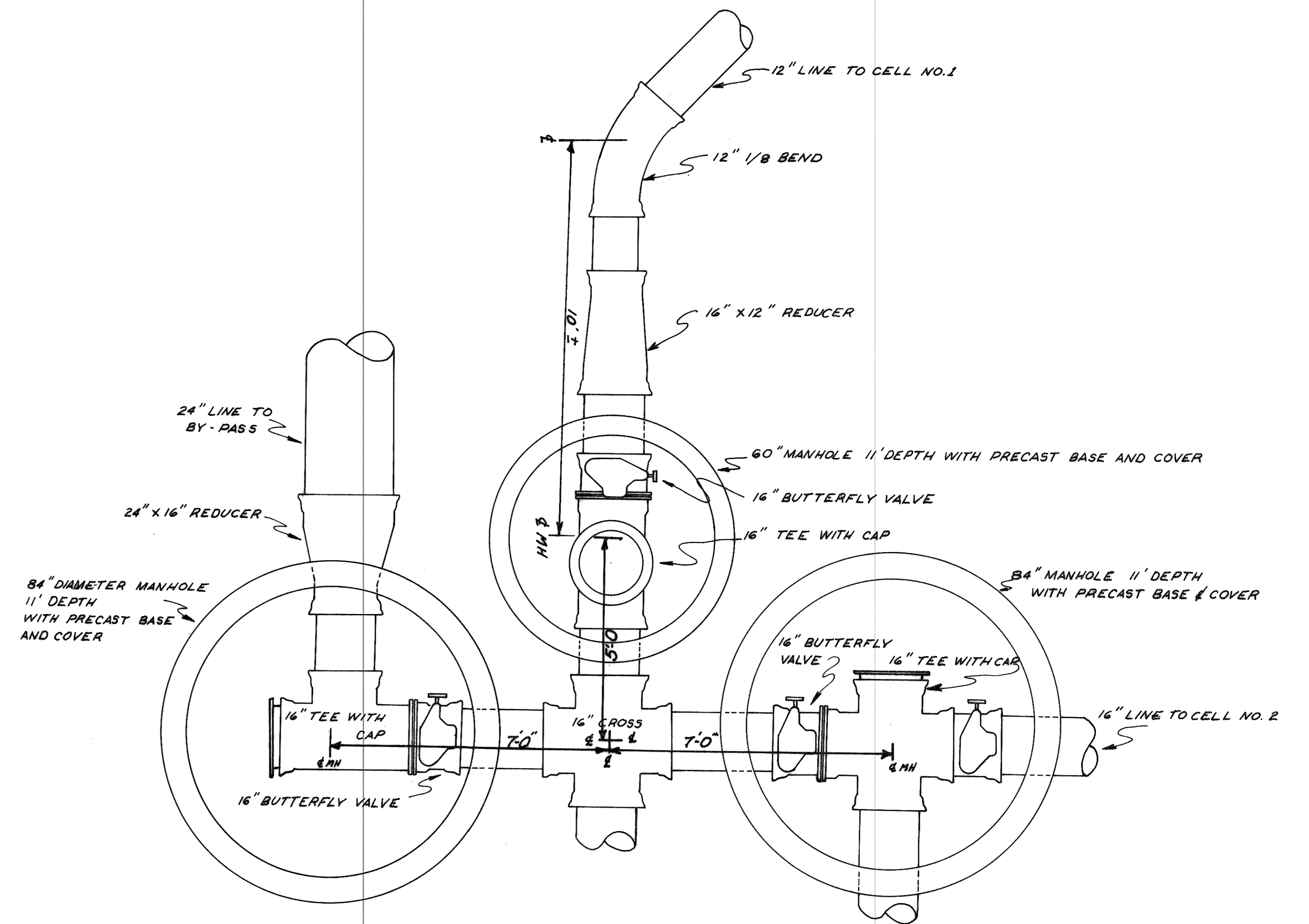
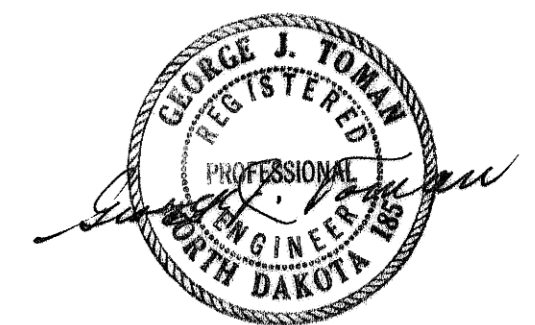


DETAIL SHOWING PIPING BETWEEN 16" FORCE MAIN & 24" GRAVITY BY-PASS



DETAIL SHOWING MANHOLE LOCATIONS AT NORTHWEST CORNER OF LAGOON



Job:	SANITARY SEWER IMPROVEMENT DISTRICT NO. 14 CITY OF MANDAN, NORTH DAKOTA		
Date:			
File No.:	Revised:		
SHEET NO. 18 OF 27 SHEETS Scale: 1/2" = 1'			
DRAWN BY:	C.P.	CHECKED BY:	R.H.
DISTRIBUTION MANHOLES DETAIL			
George J. Toman R. P. E. No. 185		Consulting Engineer Mandan, North Dakota	