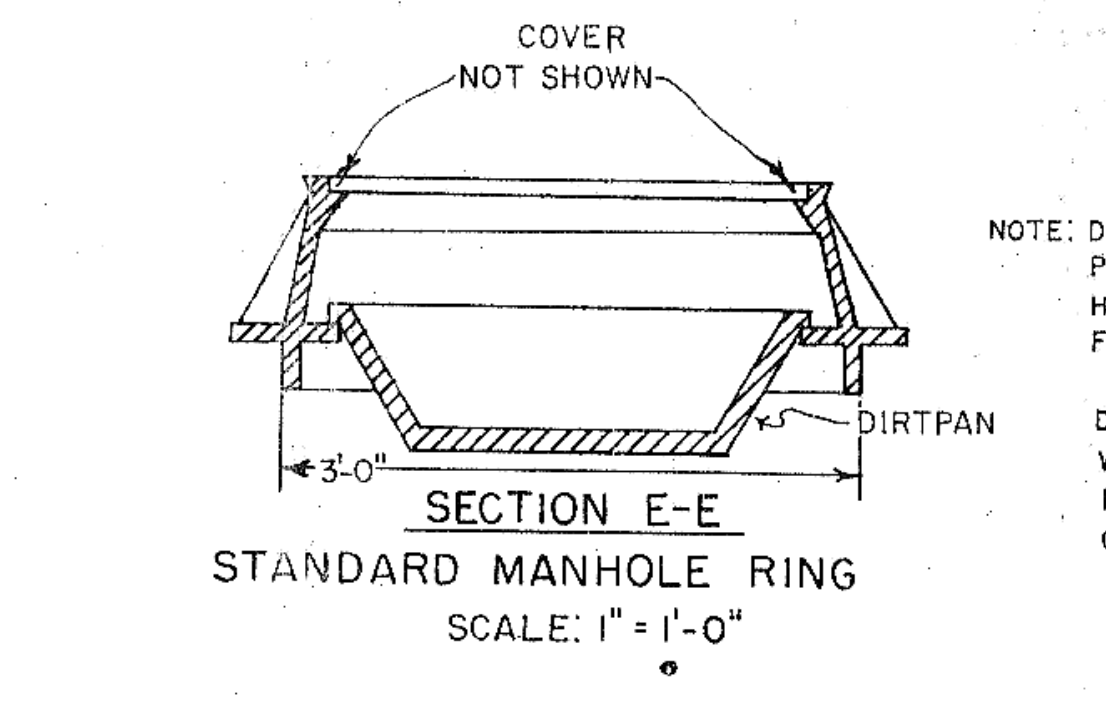
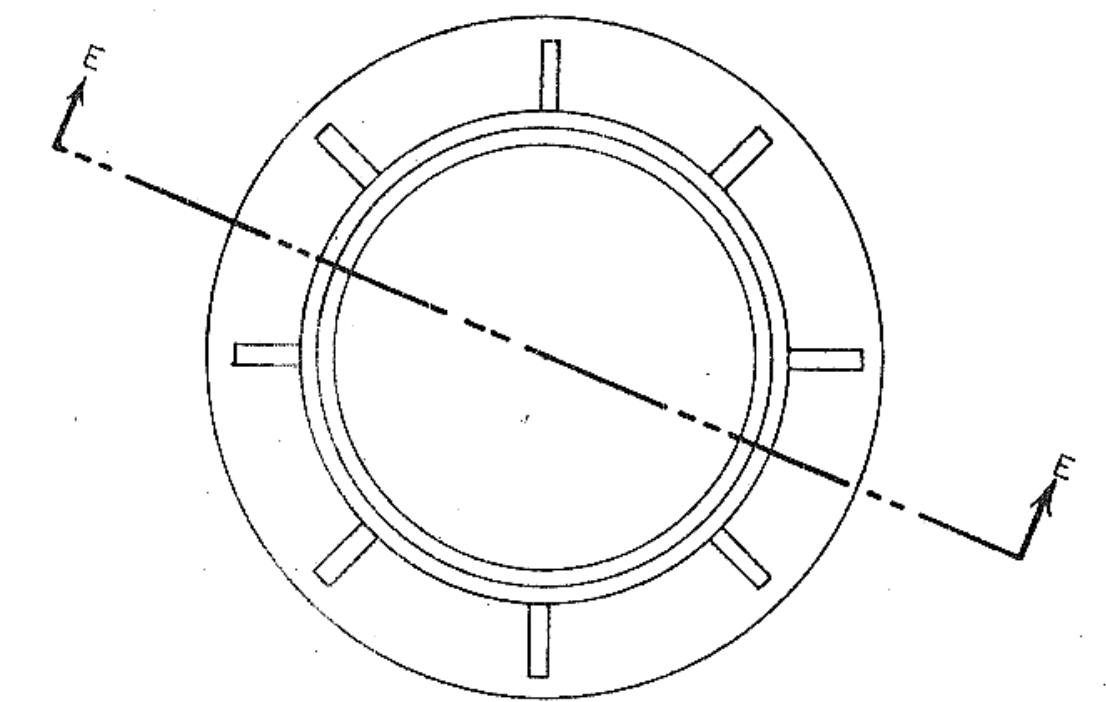


TYPICAL MANHOLE ELEVATION VIEW
SCALE: 1" = 1'-0"

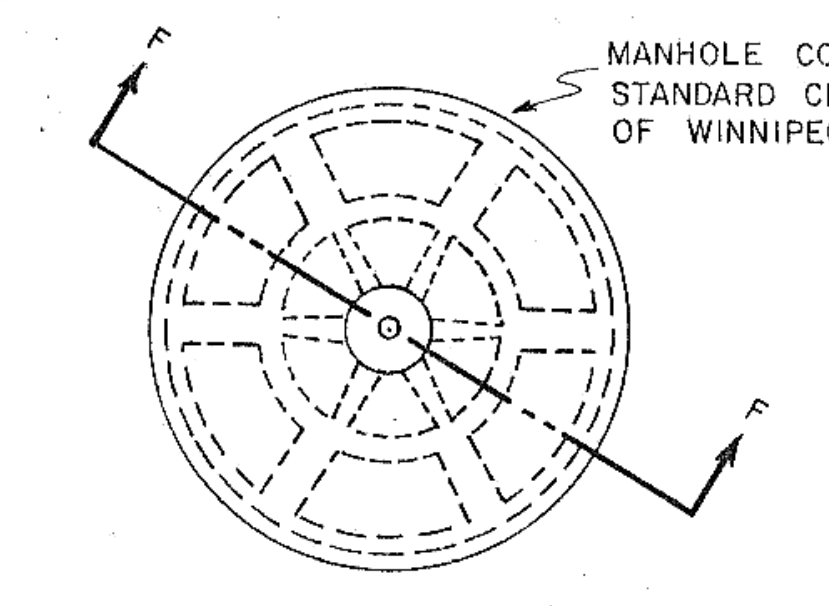


SECTION E-E
STANDARD MANHOLE RING
SCALE: 1" = 1'-0"

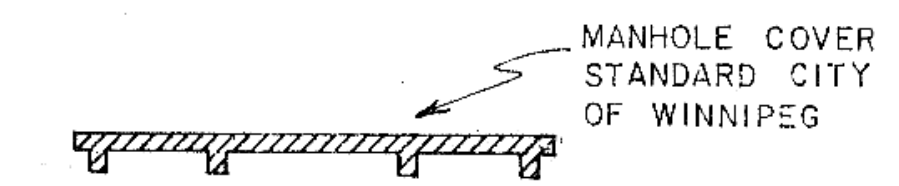
NOTE: DIRT PAN TO FIT PARTICULAR MANHOLE RING FURNISHED FOR JOB.
DIRTPAN FOR MANHOLE WHEN CALLED FOR IN EITHER THE PLANS OR SPECIFICATIONS.



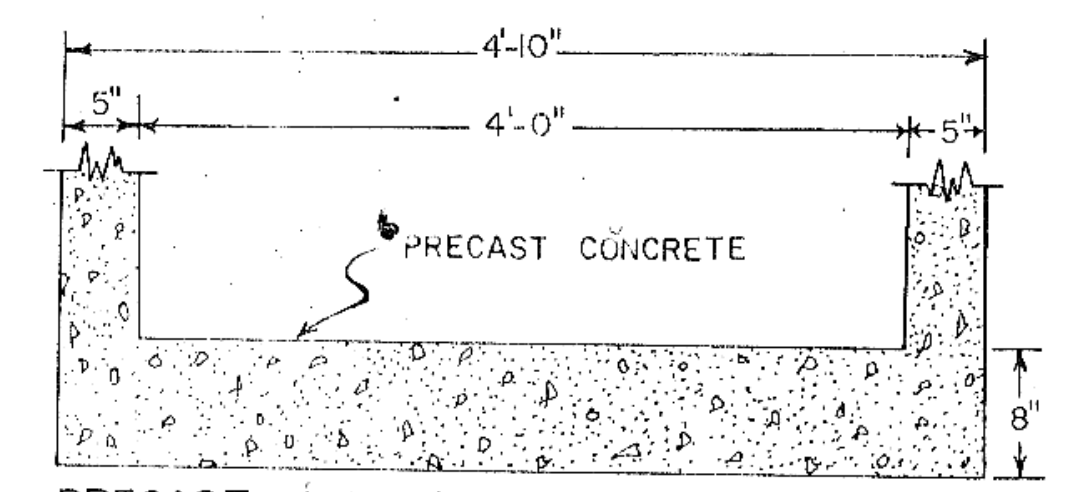
STANDARD MANHOLE RING
PLAN VIEW
SCALE: 1" = 1'-0"



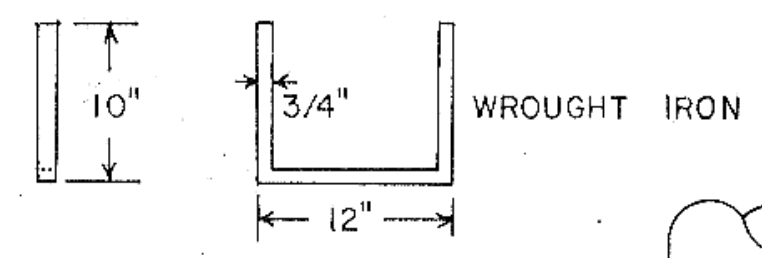
STANDARD MANHOLE COVER
PLAN VIEW
SCALE: 1" = 1'-0"



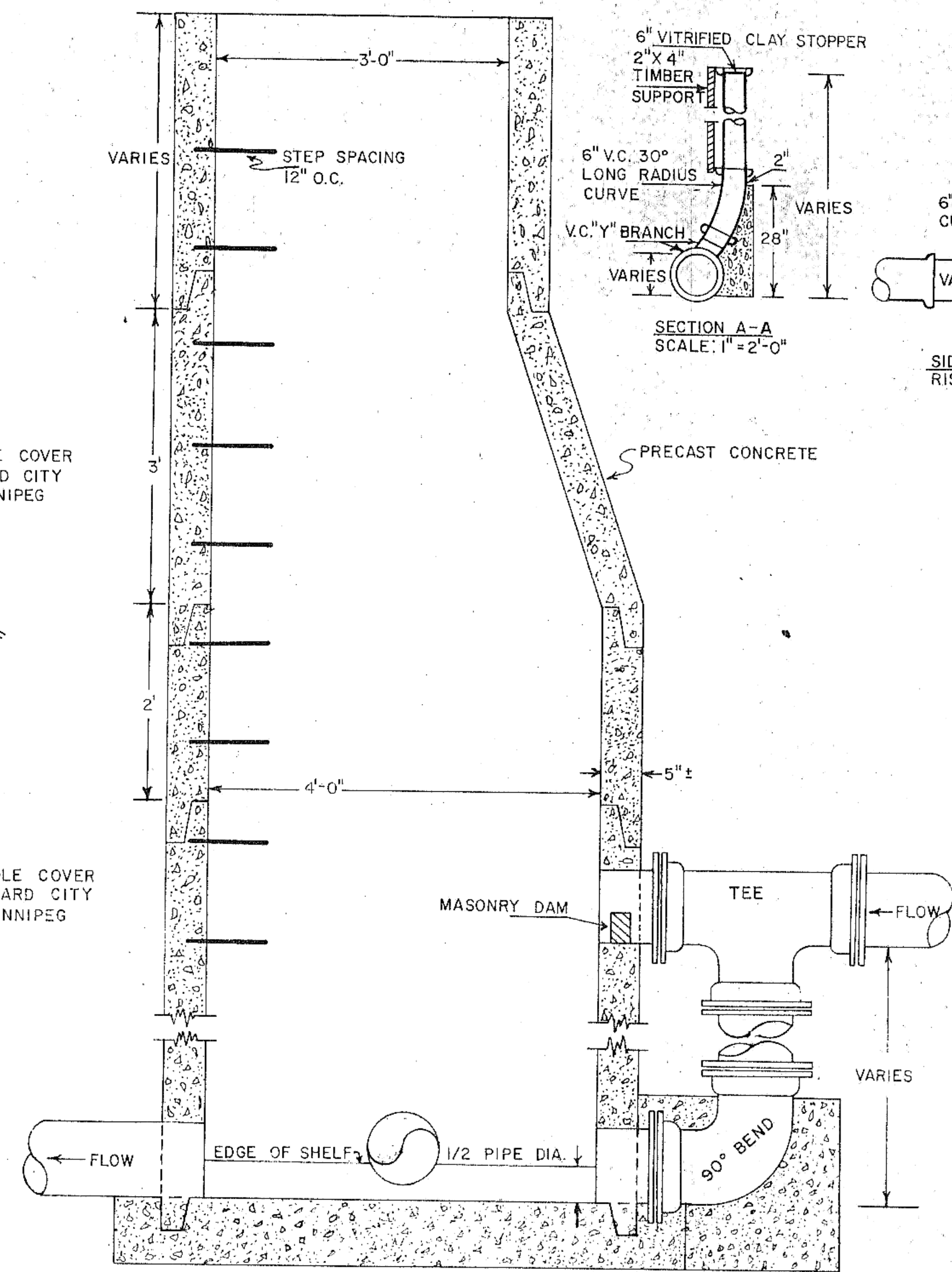
SECTION F-F
STANDARD MANHOLE COVER
SCALE: 1" = 1'-0"



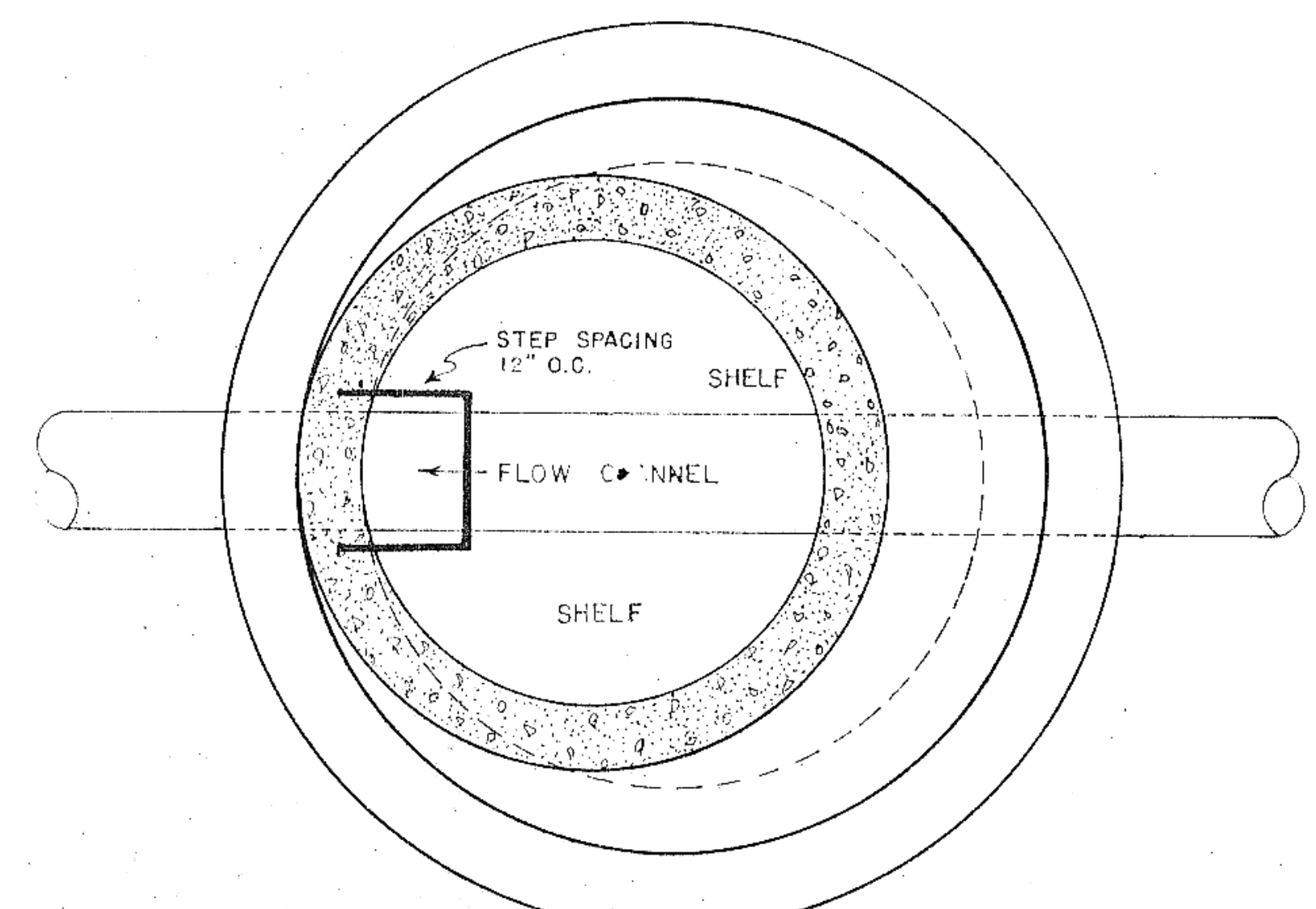
PRECAST MANHOLE FLOOR DETAIL
SCALE: 1" = 1'-0"



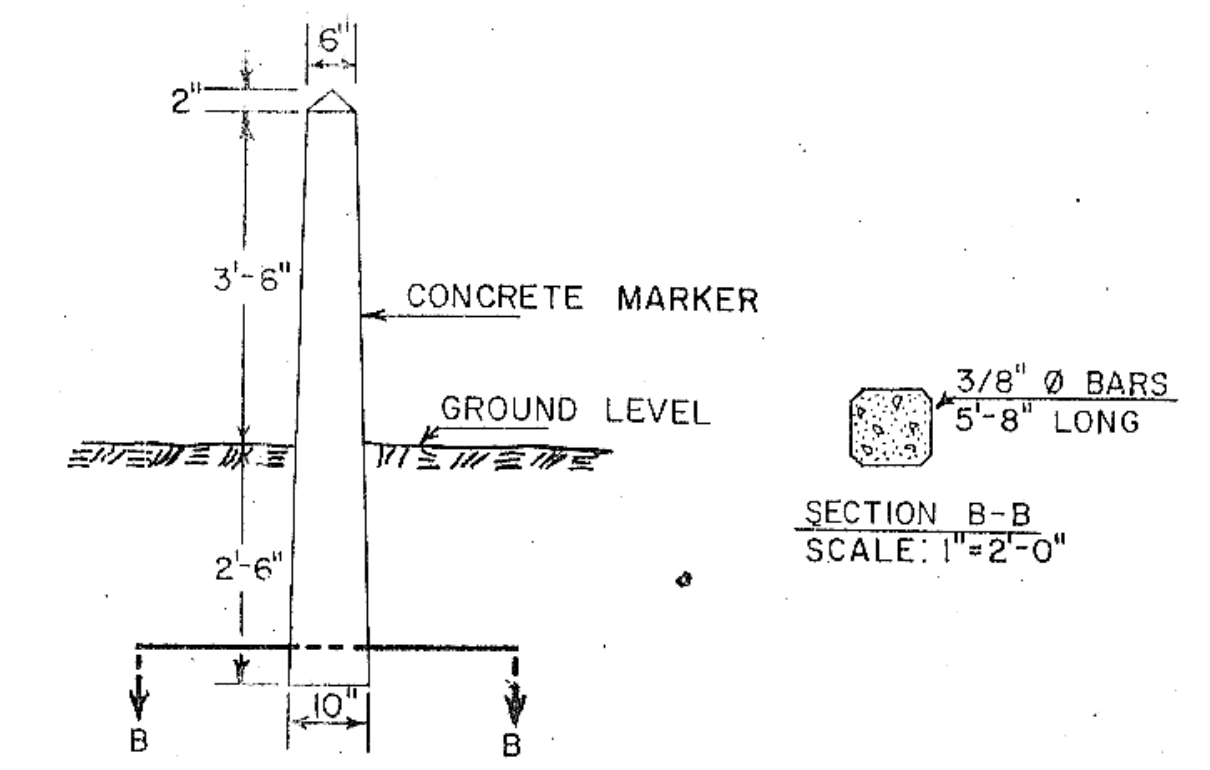
STEP DETAILS
SCALE: 1" = 1'-0"



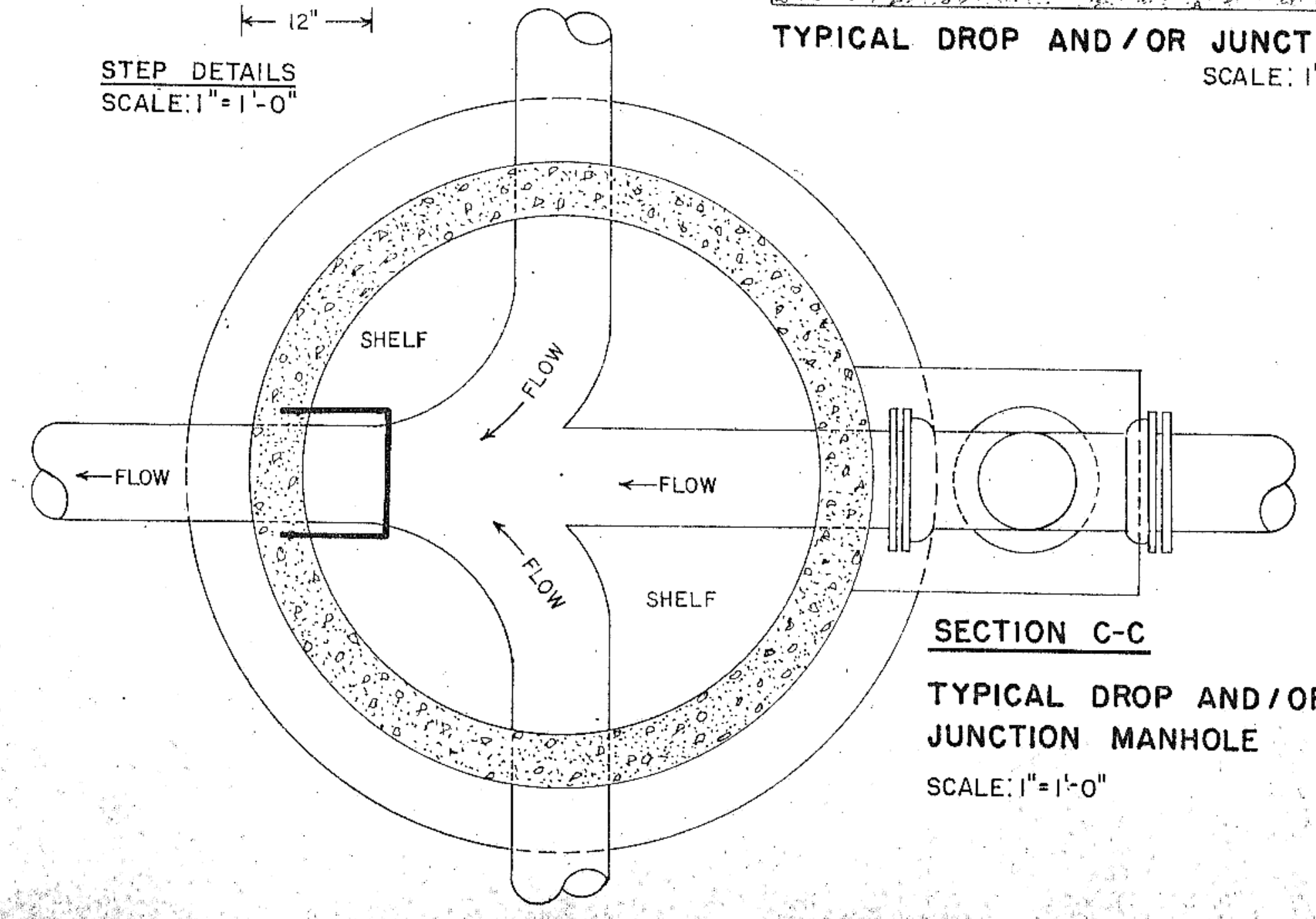
TYPICAL DROP AND/OR JUNCTION MANHOLE ELEVATION
SCALE: 1" = 1'-0"



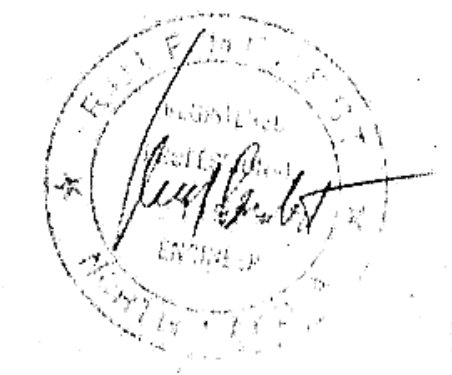
TYPICAL MANHOLE
SECTION D-D
SCALE: 1" = 1'-0"



ELEVATION - TYPICAL REFERENCE MARKER
SCALE: 1" = 2'-0"



SECTION C-C
TYPICAL DROP AND/OR JUNCTION MANHOLE
SCALE: 1" = 1'-0"



W.S. IMP. DIST. NO. 24