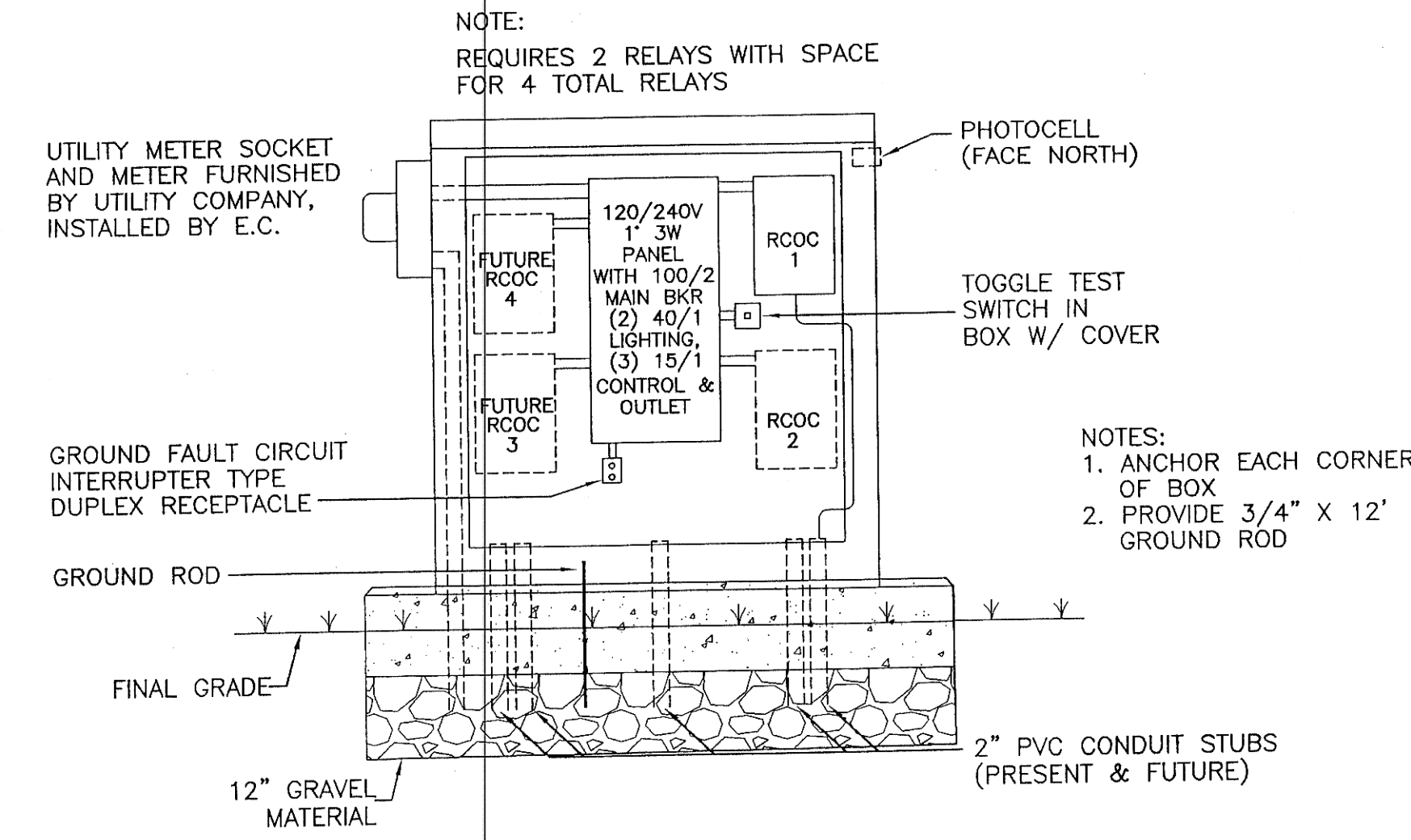
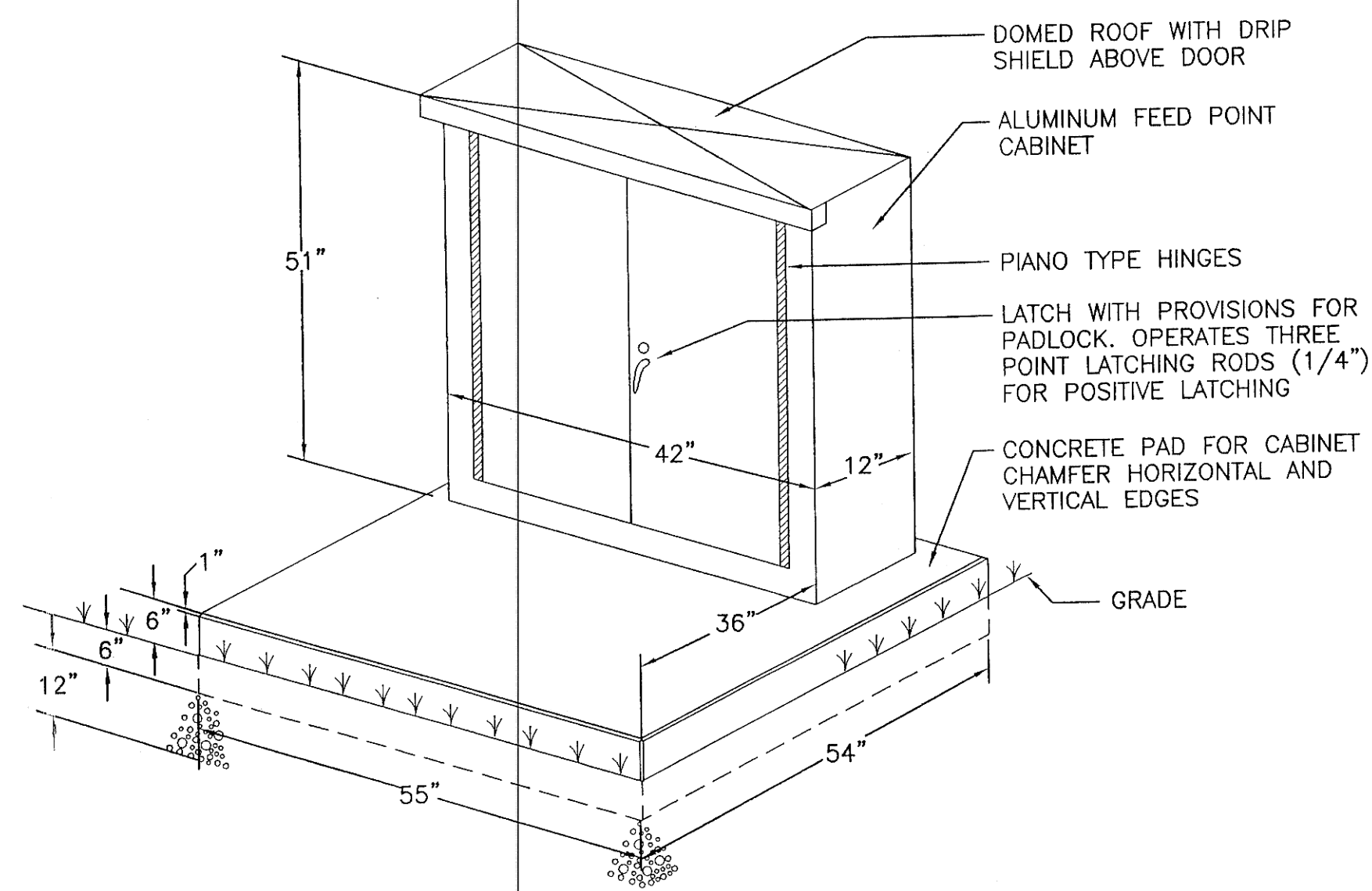


STREET LIGHT DETAILS AS-BUILT

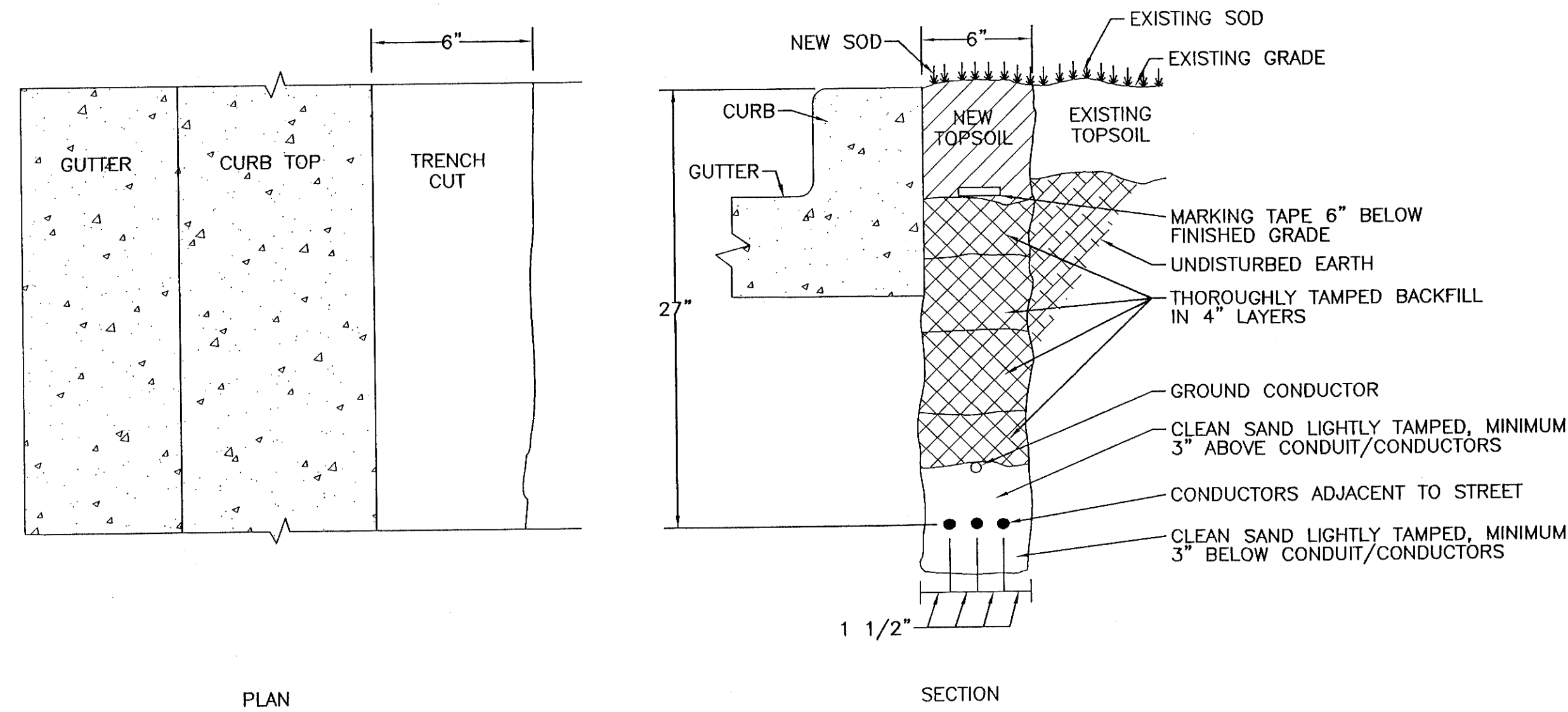
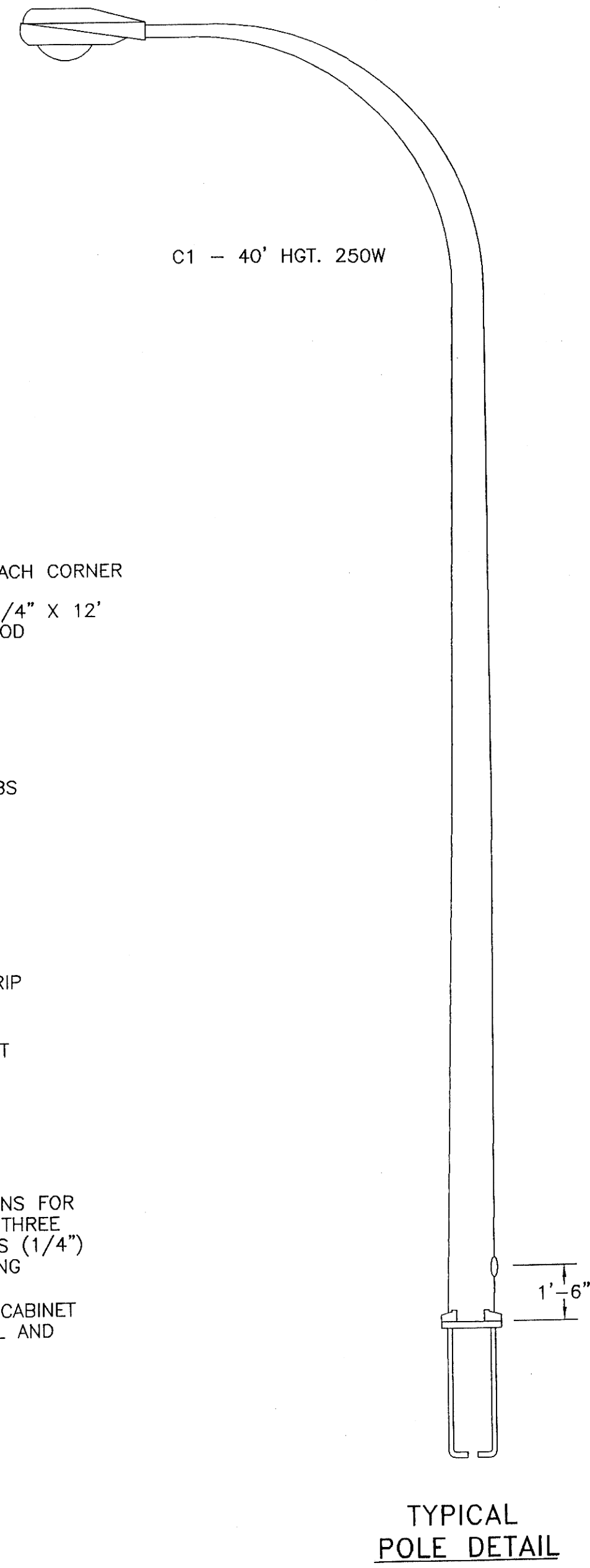
NO SCALE



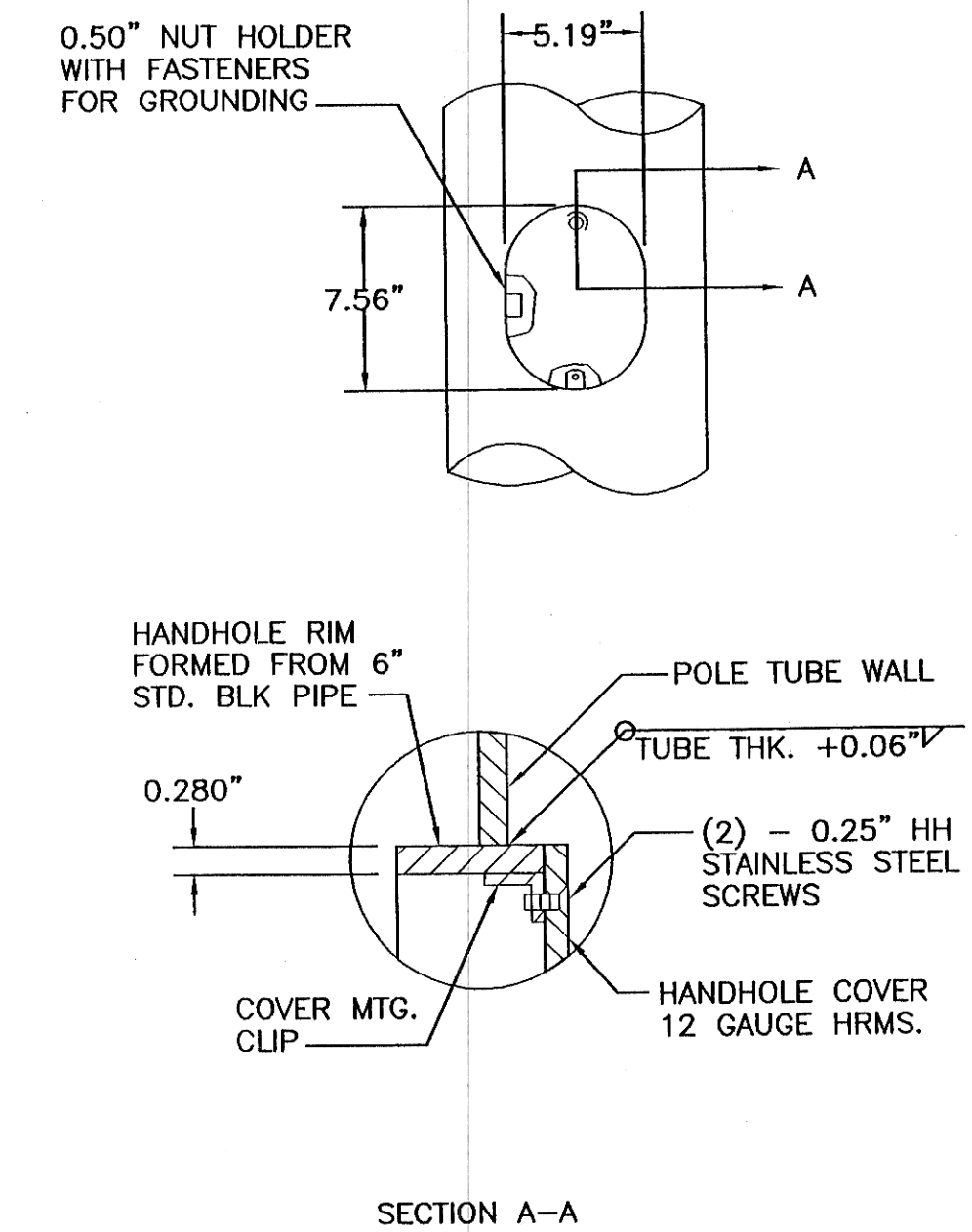
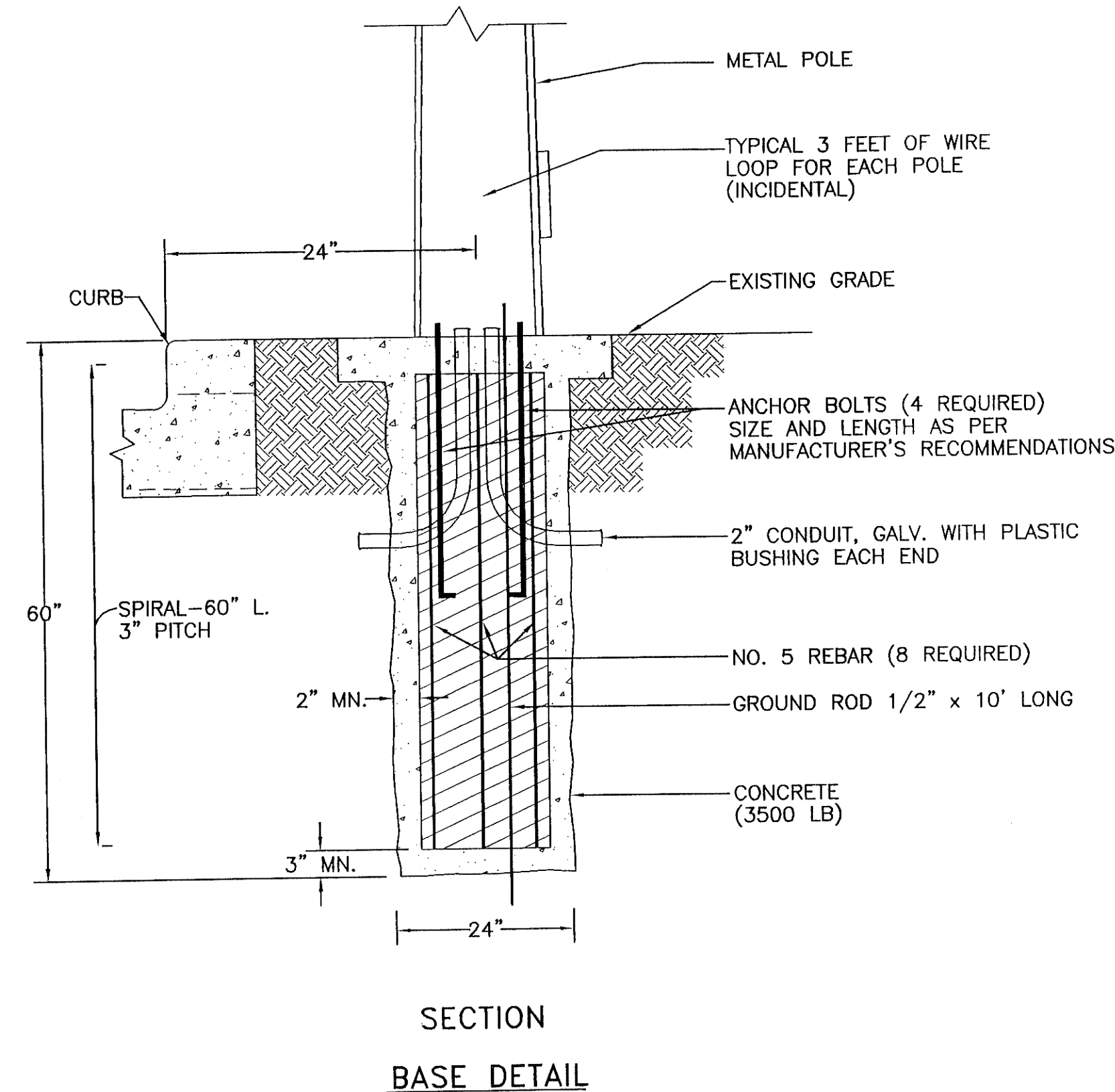
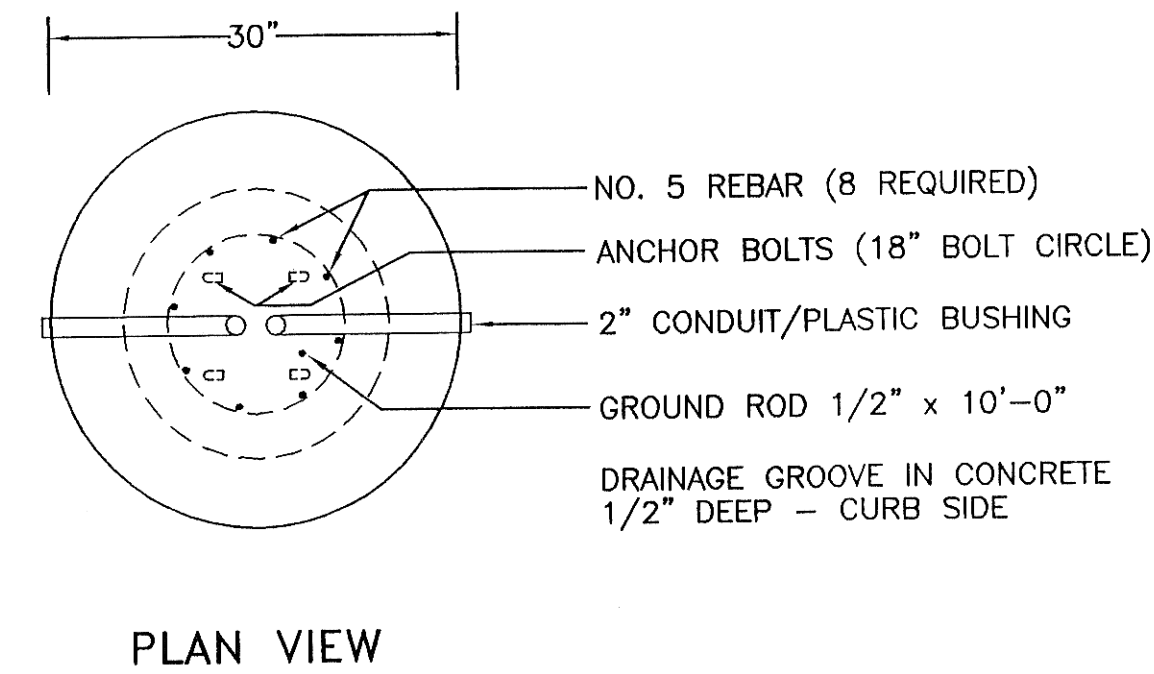
ELEVATION



ISOMETRIC DETAIL FEED POINT



UNDERGROUND CABLE INSTALLATION



TOMAN ENGINEERING COMPANY
CONSULTING CIVIL ENGINEERS
906 2ND ST. N.W. • WANDAN, NORTH DAKOTA 58554 • (701) 683-6483

PROJECT: ST. IMPROVEMENT DISTRICT NO. 124 AREA "B"
RIVERWOOD COMMERCIAL PARK
STREET LIGHT DETAILS AS-BUILT

NO.	DATE	BY	DATE	NO.	DATE	BY	DATE

SHEET NUMBER 7 OF 7 SHEETS