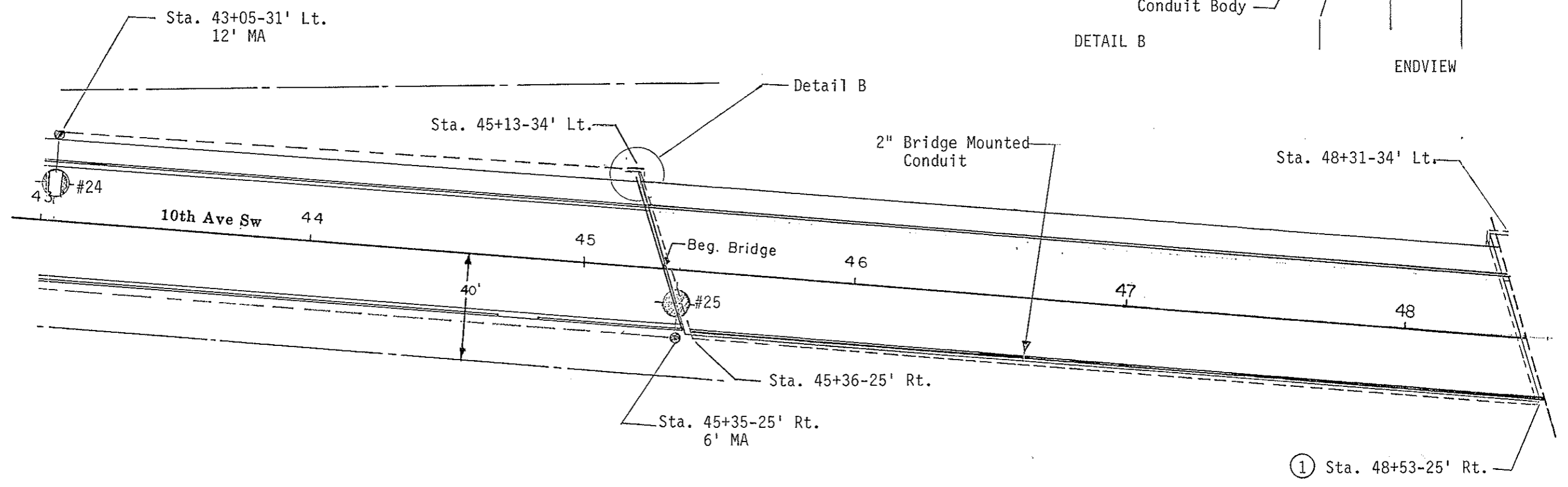
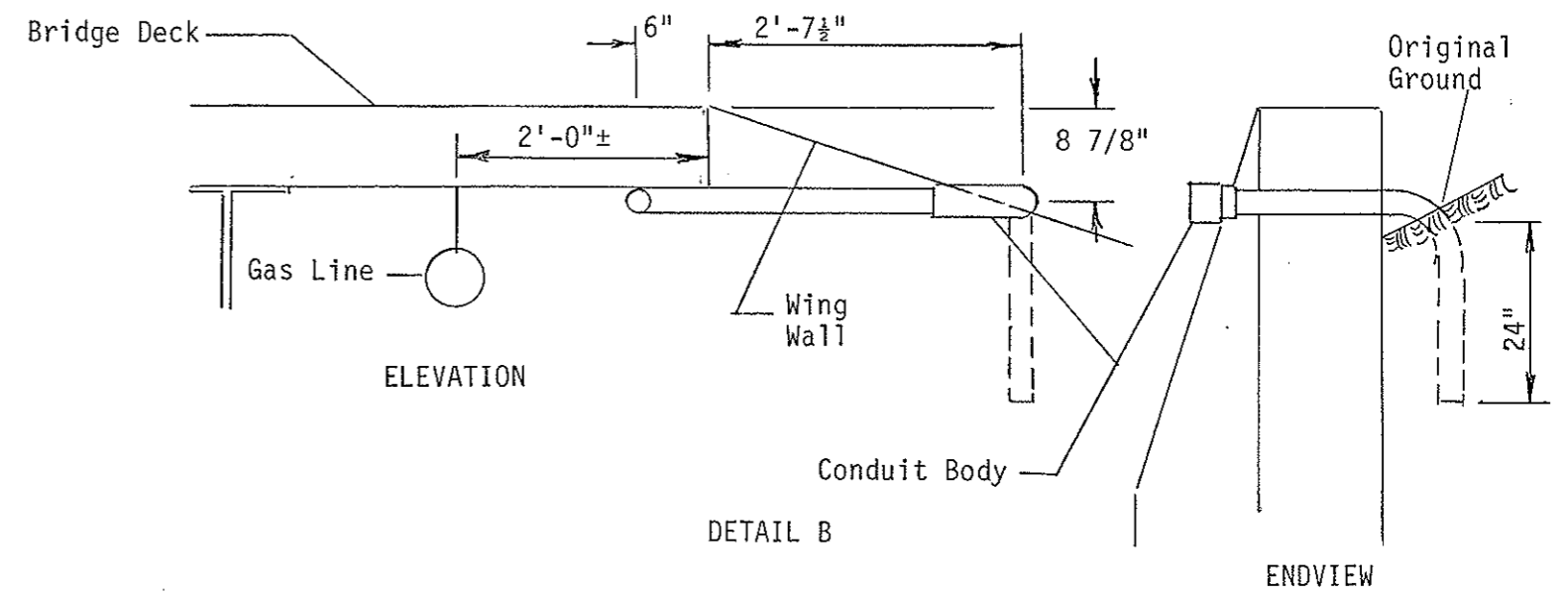


FHWA REGION	STATE	FED. AID PROJ. NO.	SHEET NO.
8	N.D.	F-1-006(005)066	139



① Revised 1-18-91

TRAFFIC CONTROL SYSTEM
Lighting Layout
Sta. 43+00 - 48+31

10th Ave sw (N.D. Hwy.6)
Mandan N.D.