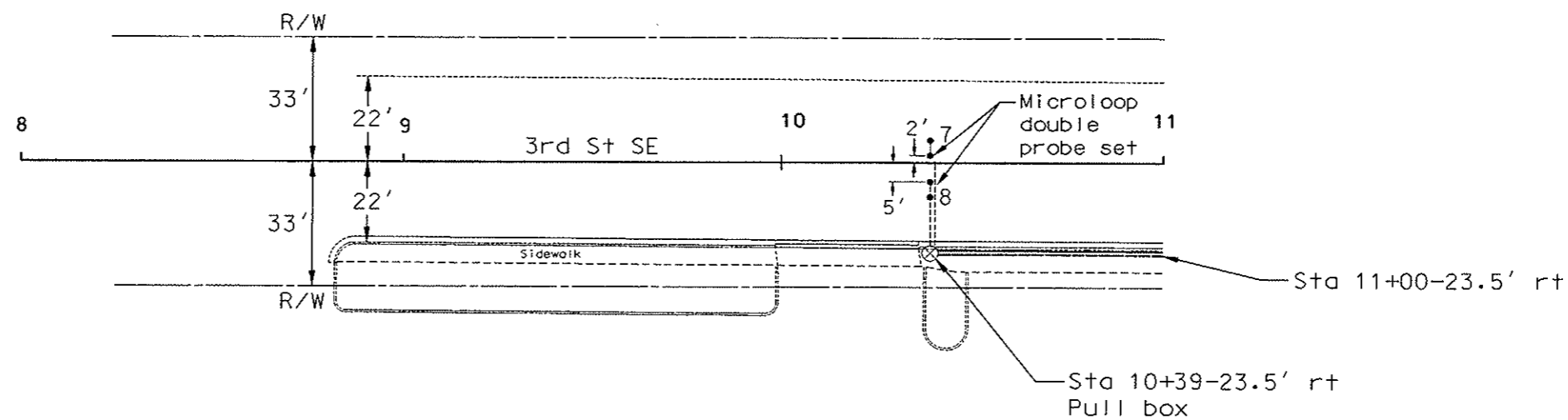
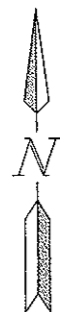


EHW REGION	STATE	PROJECT NO.	SHEET NO.
8	ND	HEU-1-806(032)069	9



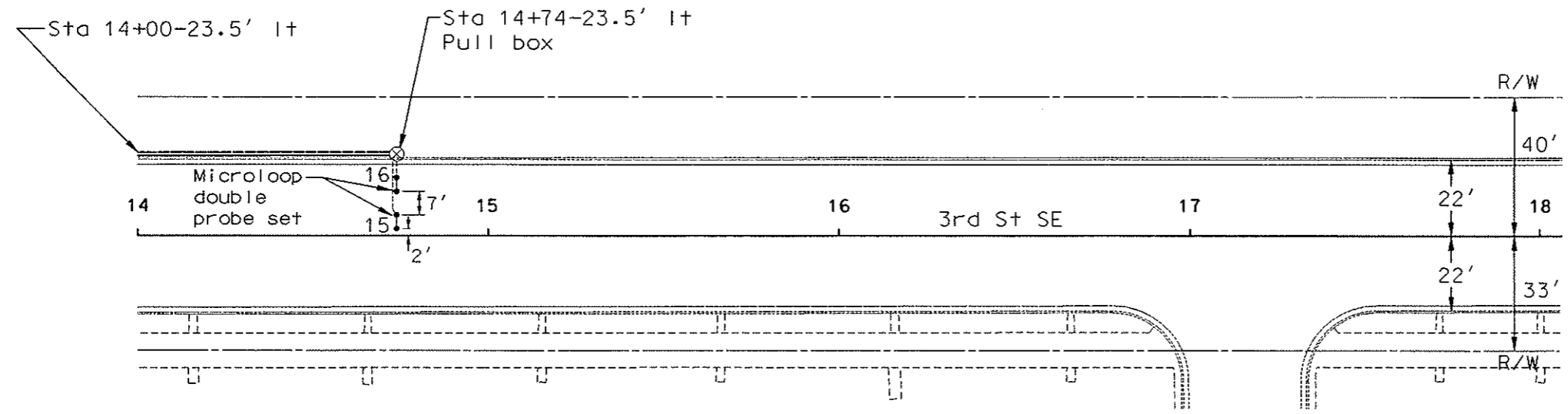
Pull box
Sta 10+39-23.5' rt 1 ea

Traffic signals
Conduit & conductor layout
6th Av SE (ND 1806) &
3rd St SE
Mandan, ND

EHWA REGION	STATE	PROJECT NO.	SHEET NO.
8	ND	HEU-1-806(032)069	10



Pull box
Sta 14+74-23.5' It 1 ea



Traffic signals
Conduit & conductor layout
6th Av SE (ND 1806) &
3rd St SE
Mandan, ND