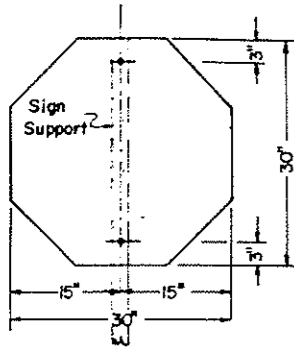
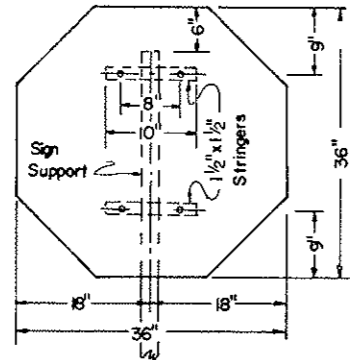


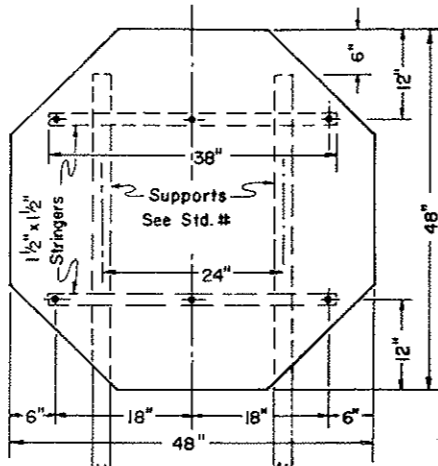
SIGN PUNCHING, STRINGER AND SUPPORT LOCATION DETAILS
REGULATORY AND WARNING SIGNS



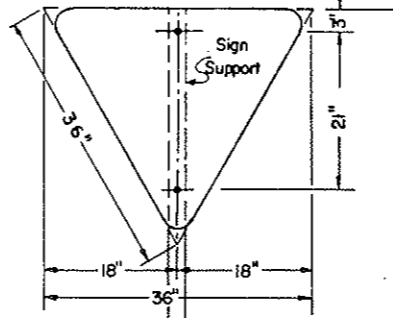
RI-1-30
Assembly 1



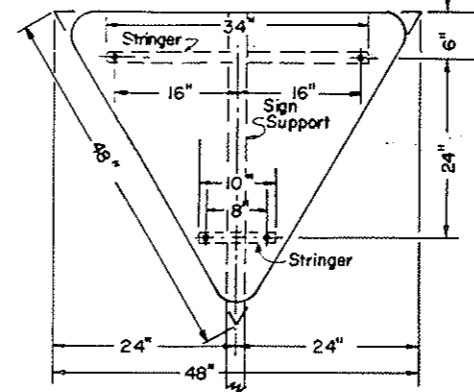
RI-1-36
Assembly 2



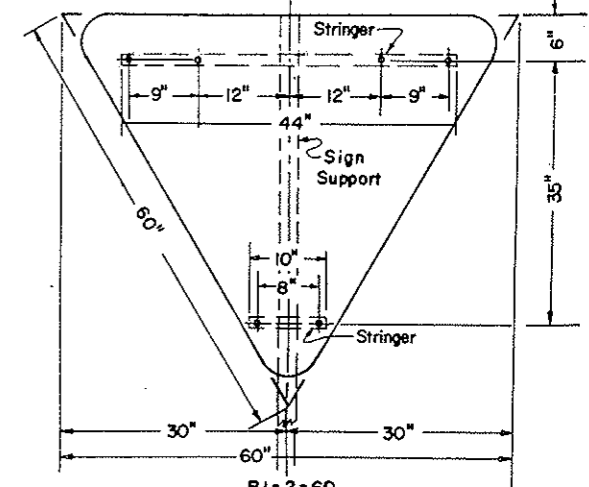
RI-1-48
Assembly 3



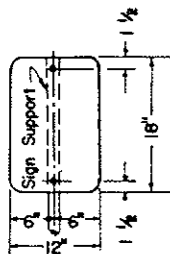
RI-2-36
Assembly 4



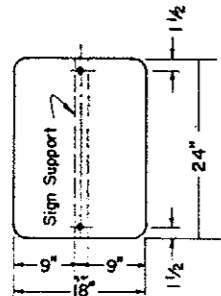
RI-2-48
Assembly 5



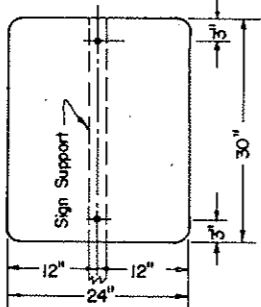
RI-2-60
Assembly 6



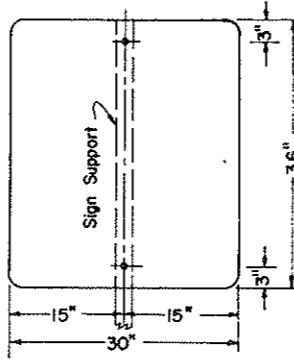
12" X 18"
Assembly 7



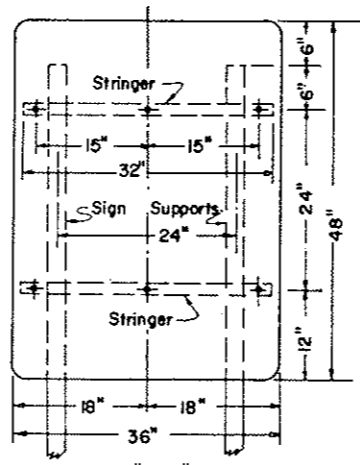
18" X 24"
Assembly 8



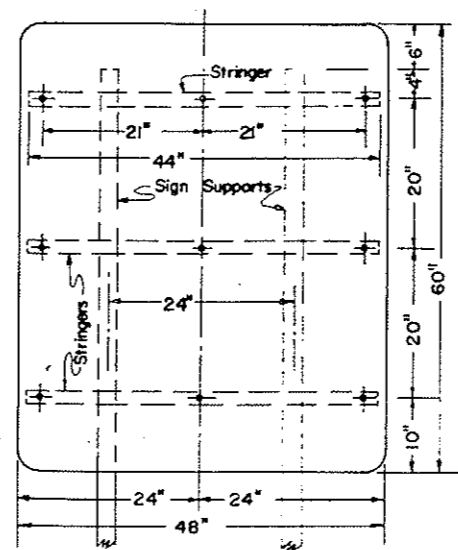
24" X 30"
Assembly 9



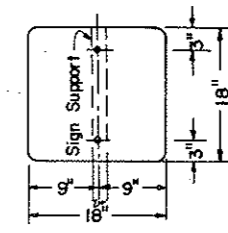
30" X 36"
Assembly 10



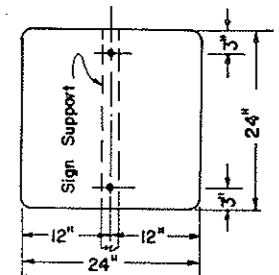
36" X 48"
Assembly 11



48" X 60"
Assembly 12



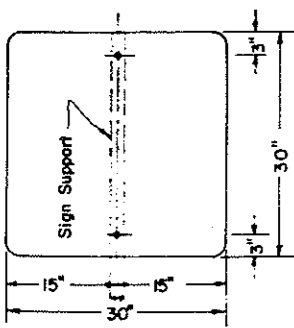
18" X 18"
Assembly 13



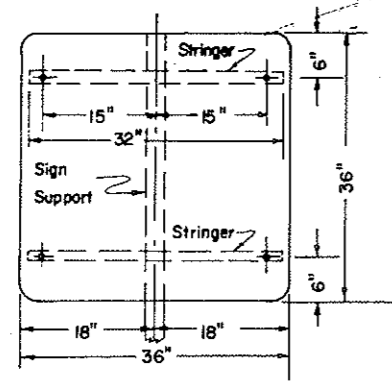
24" X 24"
Assembly 14

NOTE:

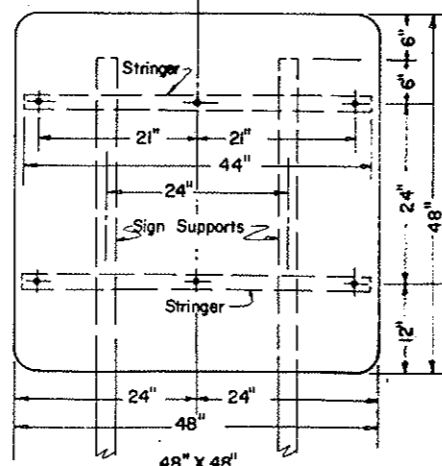
Material:
Sign Backing: The sign backing material thickness shall be as follows.
Steel: Signs having a width of less than 30" shall use 14 gauge material. Signs 30" or more shall use 12 gauge material.
Aluminum: Aluminum alloy 6061-T6 shall have the following minimum thicknesses: Signs 24" or less in width shall be 0.080 inch. Signs 30" or less in width shall be 0.100 inch. Signs over 30" shall be 0.125 inch. Aluminum alloy 5052-H38 shall have the following minimum thicknesses: Signs 24" or less in width shall be 0.100 inch. Signs over 24" in width shall be 0.125 inch.
Stringers: All stringers shall be square tube, perforated 1/2 x 1/2 and of the length shown.
Holes: All holes shall be punched round for 3/8" diameter bolts.
General: See plans for sign numbers to be used at each location. See Std. D-754-71-12.12 for mounting details. See Std. D-754-75-12.1 & 12.2 for post length and sizes.



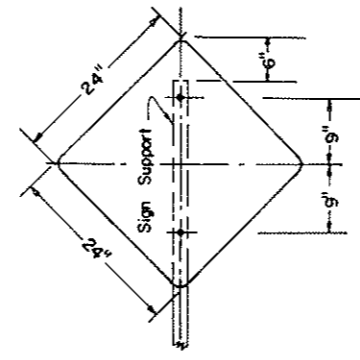
30" X 30"
Assembly 15



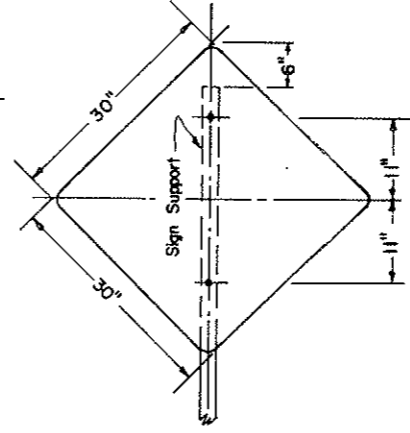
36" X 36"
Assembly 16



48" X 48"
Assembly 17



24" X 24"
Assembly 18



30" X 30"
Assembly 19

11-10-75 REVISIONS	
DATE	CHANGES

NORTH DAKOTA
STATE HIGHWAY DEPARTMENT
Submitted: *[Signature]*
Design Engineer
Recommended:
Asst. Chief Engineer, Pre-Const.
Approved: *[Signature]*
Chief Engineer