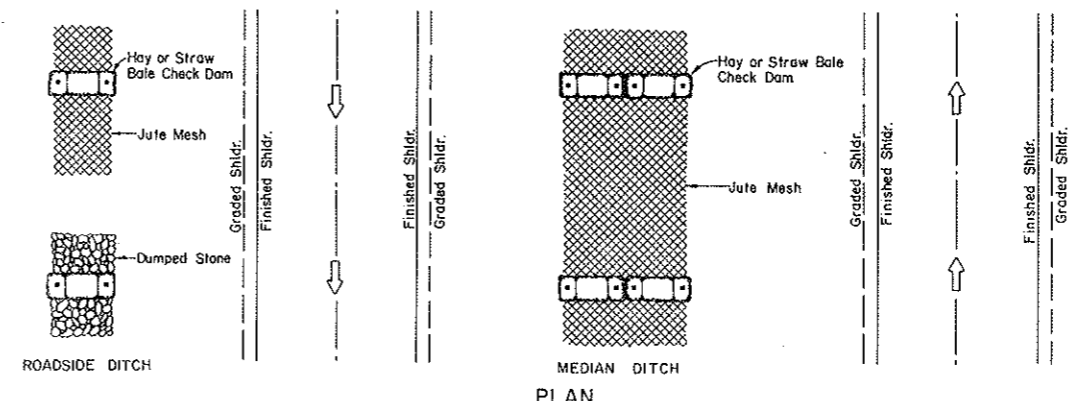
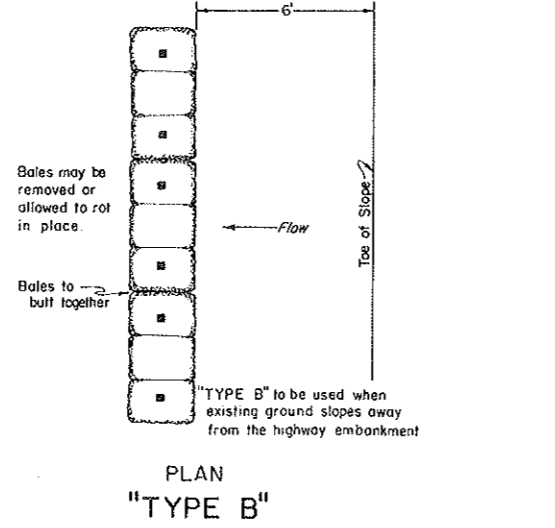
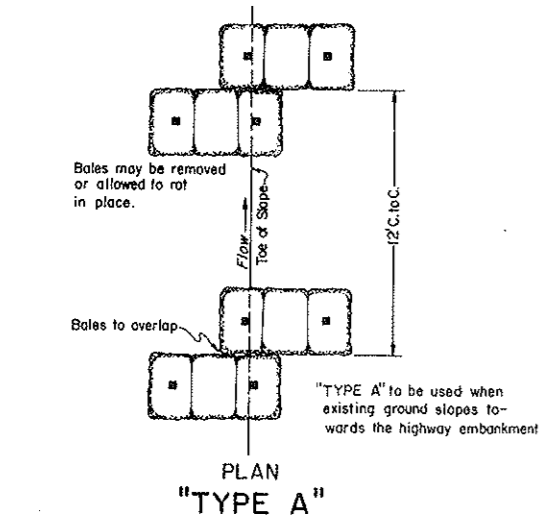
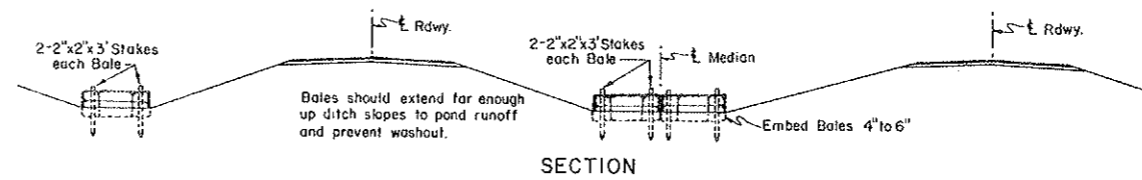
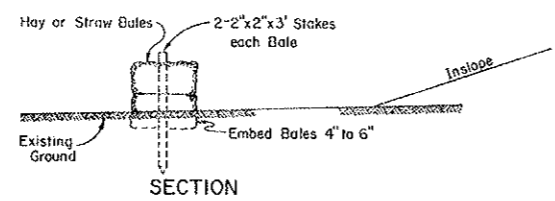
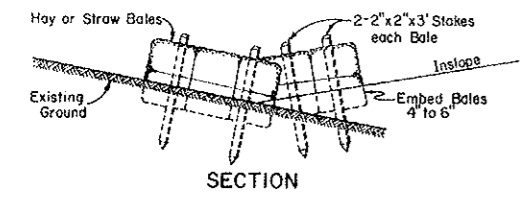
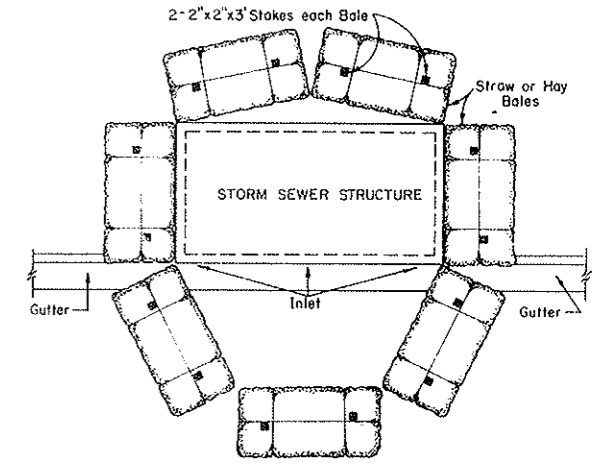
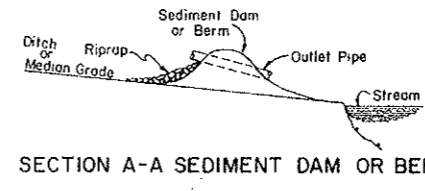
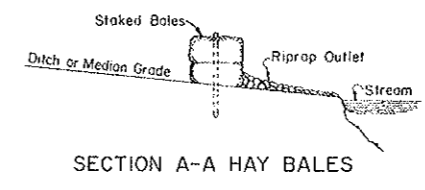
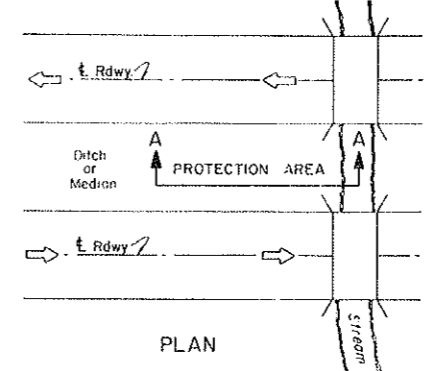
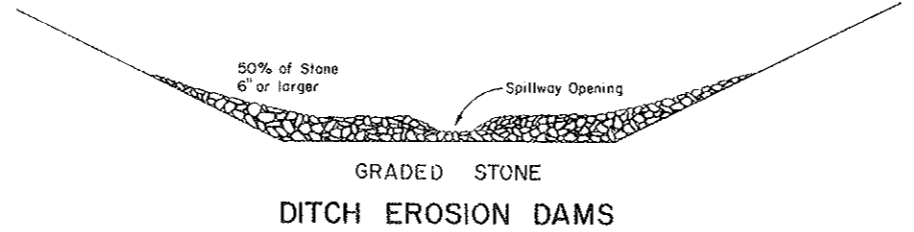
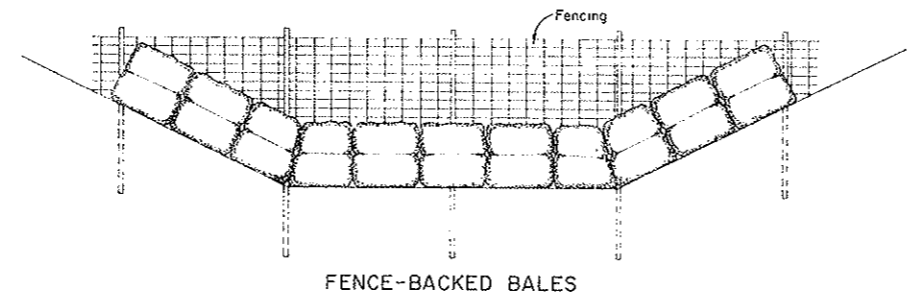
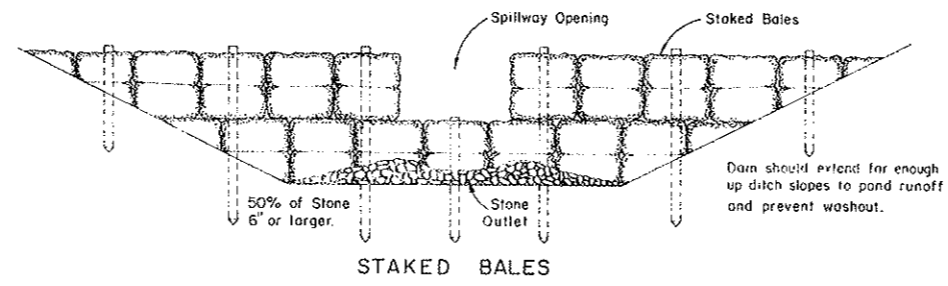
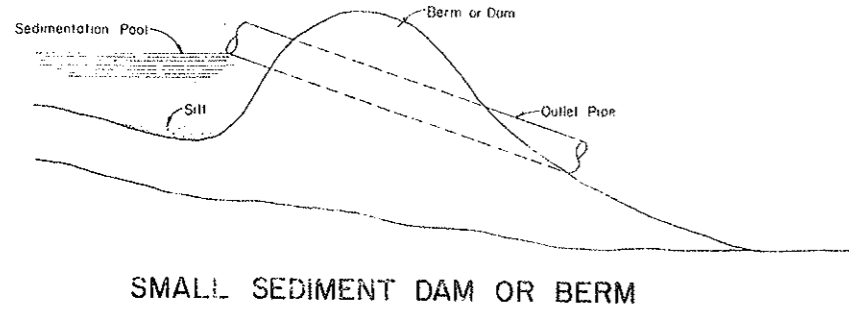


TEMPORARY EROSION AND SILTATION CONTROLS

PRJ. NO.	DATE	REV.	BY
0	N.C.		6.3
			D-900-20



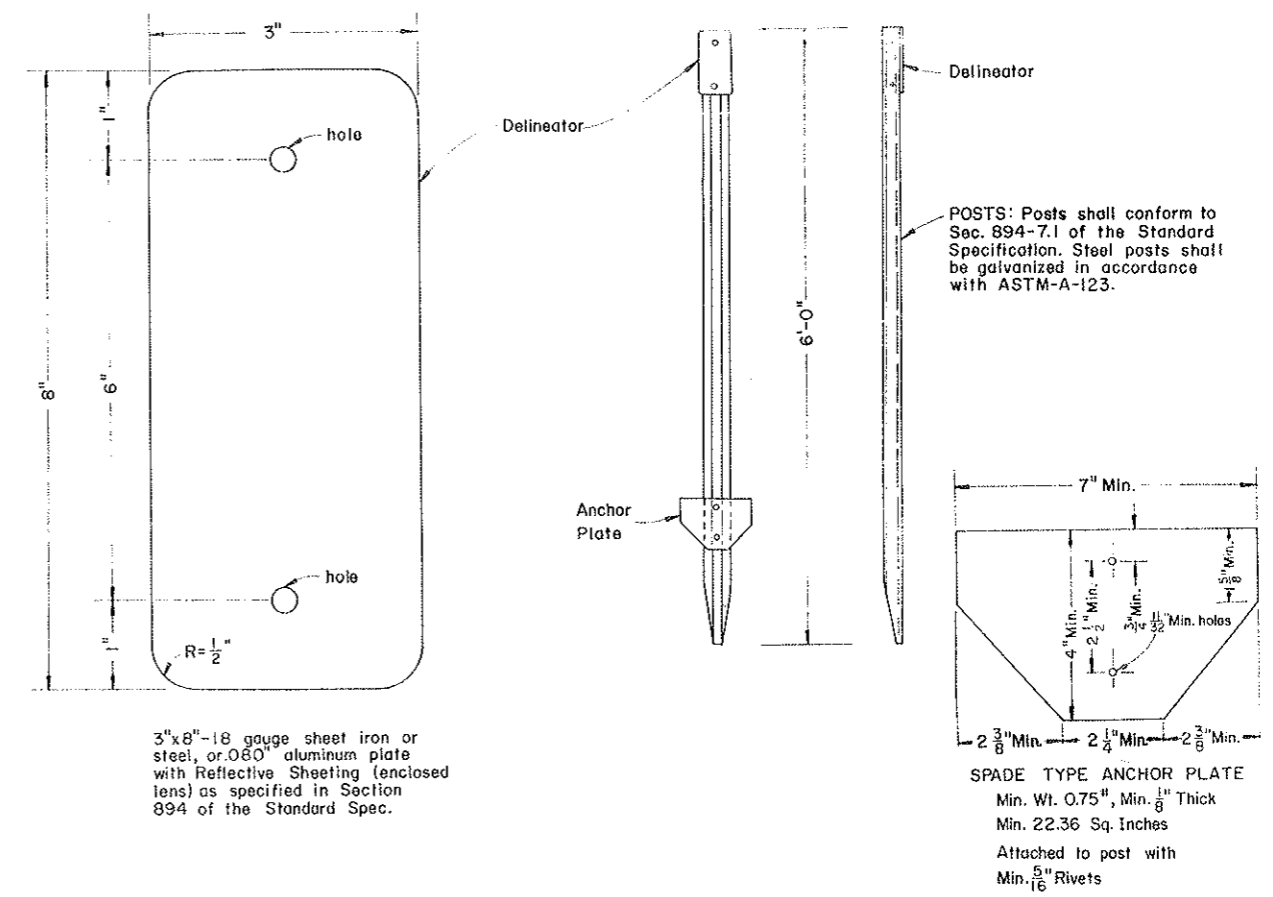
MEDIAN OR DITCH PROTECTION AT STREAM CROSSINGS

NOTES
 These Temporary Erosion and Siltation Controls or modifications thereof may be used by the Contractor or directed by the Engineer to prevent erosion or siltation during the construction stage.
 Payment for these items will be in accordance with Special Provisions for "Erosion and Water Pollution Control."

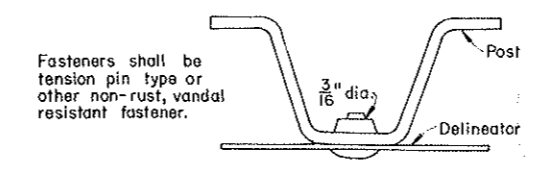
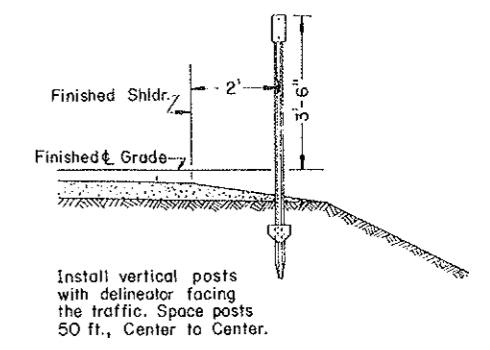
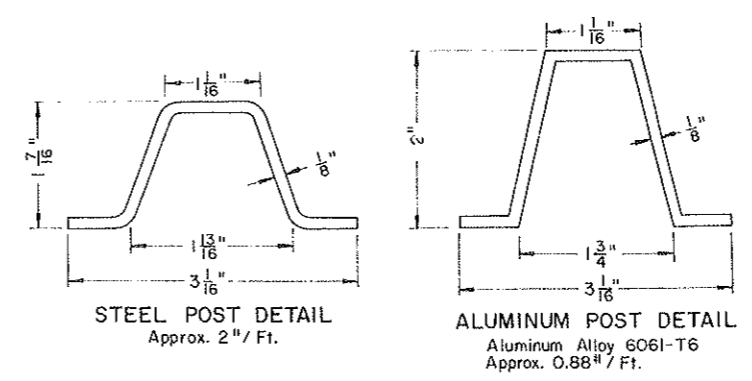
3-25-74		NORTH DAKOTA STATE HIGHWAY DEPARTMENT
REVISIONS		
DATE	CHANGE	Submitted: <i>R. Schuman</i> Design Engineer
		Recommended: <i>R. Schuman</i> Asst. Chief Engineer Pre-Construction
		Approved: <i>R. Schuman</i> Chief Engineer

8	N.L.	44
D-722-9		

REFLECTORIZED GUIDE POSTS



3"x8"-18 gauge sheet iron or steel, or .080" aluminum plate with Reflective Sheeting (enclosed lens) as specified in Section 894 of the Standard Spec.



1-1-75		NORTH DAKOTA STATE HIGHWAY DEPARTMENT
REVISIONS		
DATE	CHANGE	Submitted: <i>[Signature]</i> Design Engineer
		Recommended: Asst. Chief Engineer Pre-Construction
		Approved: <i>[Signature]</i> Chief Engineer