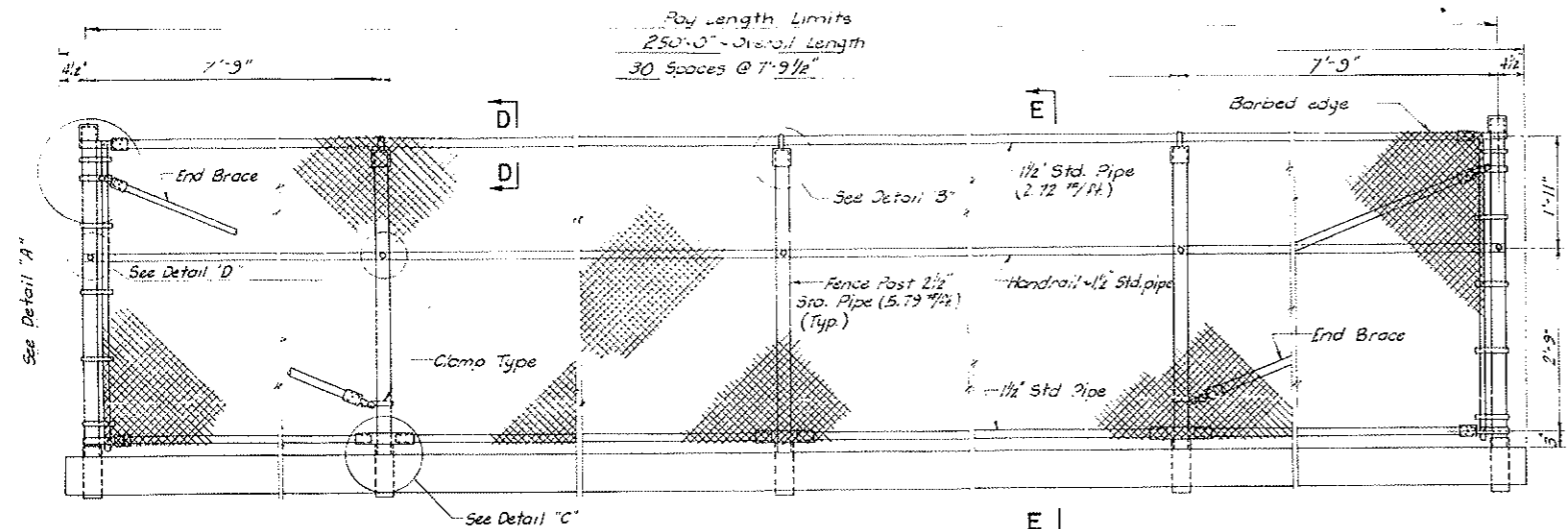
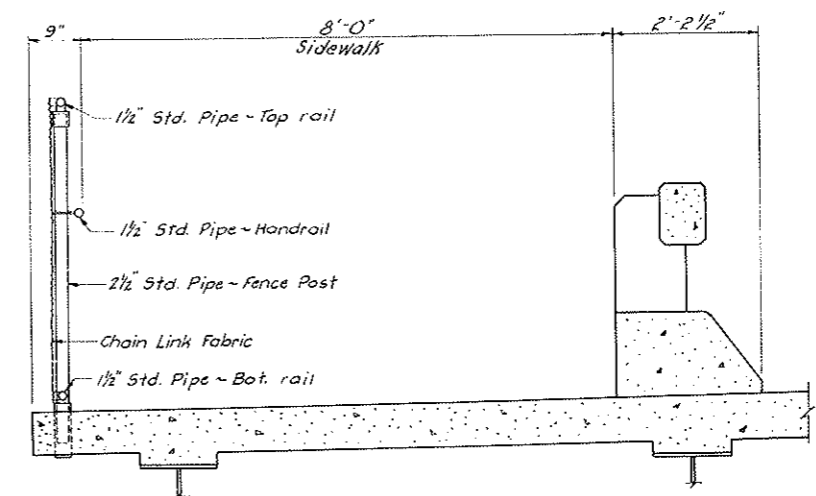


FED. ROAD DIST. NO.	STATE	PROJ. NO.	SHEET NO.	TOTAL SHEETS
8	N. D.	BRS-1-806105069	25	



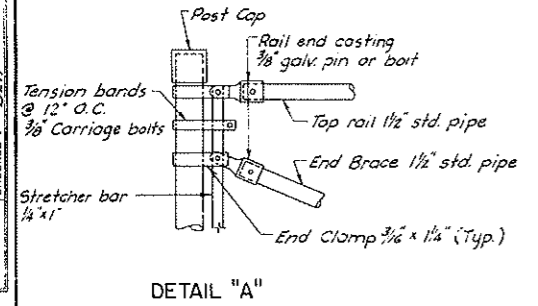
WIRE FENCE ELEVATION  
(Looking East)



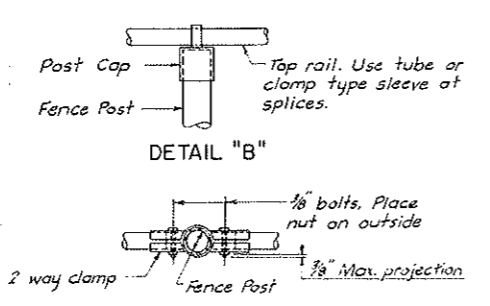
E-E

**NOTE:**  
All posts, fittings and chain link fence shall conform to Section 886 of the Standard Specifications.  
Chain Link fabric shall be zinc coated steel, 9-gauge wire, 2" mesh, 60" high, bottom edge knuckled and top edge barbed. All posts, fittings and hardware shall be galvanized steel in conformance with AASHTO M 181.

MADE BY LEO  
 CHECKED BY DLR  
 MADE BY LEO  
 CHECKED BY DLR  
 MADE BY LEO  
 CHECKED BY DLR  
 QUANTITIES  
 D-TAILS  
 TRACING



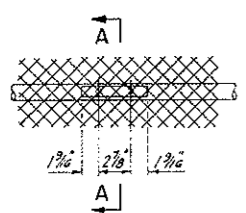
DETAIL "A"



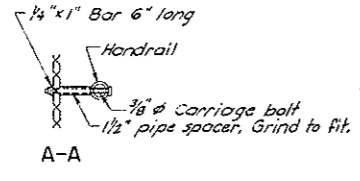
DETAIL "B"

DETAIL "C"

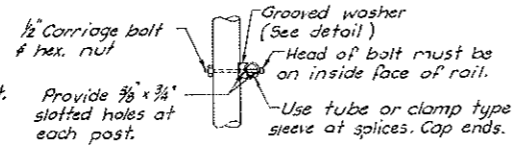
D-D



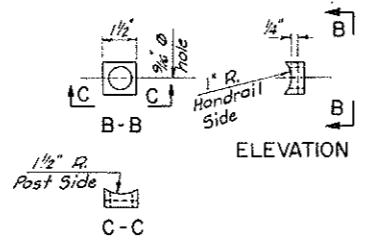
PART ELEVATION  
@ C BAY



A-A

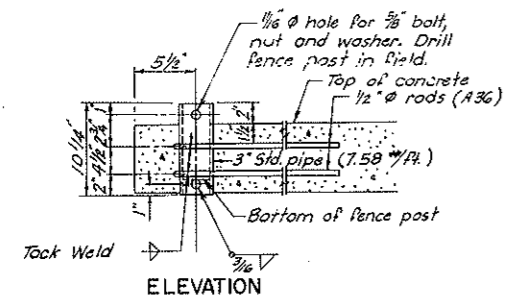


DETAIL "D"

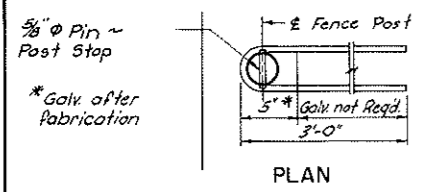


ELEVATION

GROOVED WASHER DETAIL



ELEVATION



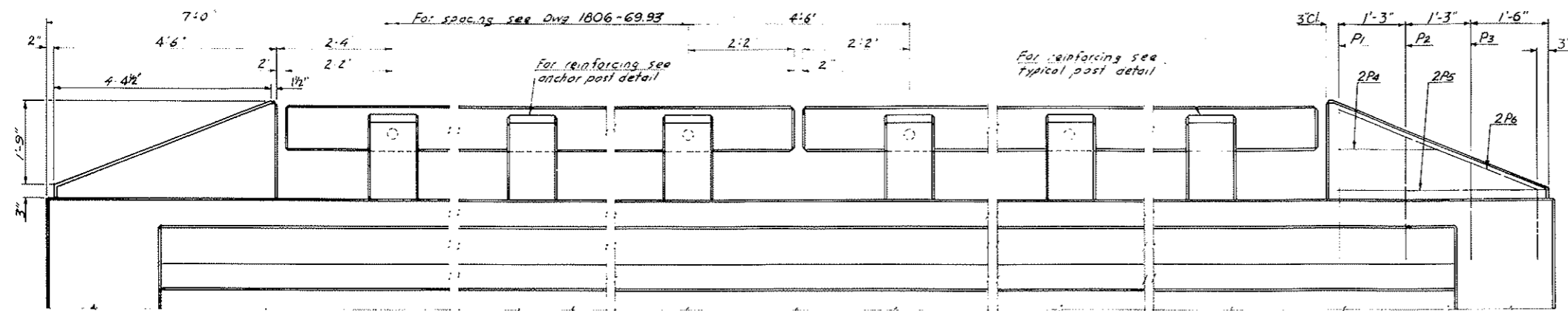
PLAN

PIPE ANCHORAGE FOR FENCE POSTS

QUANTITIES	
Pedestrian Railing	249.25 L.F.

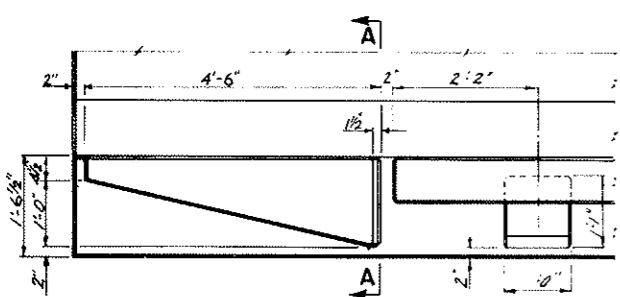
HEART RIVER BRIDGE  
PEDESTRIAN RAIL  
& MISCELLANEOUS

FED. ROAD DIST. NO.	STATE	PROJ. NO.	SHEET NO.
8	N D	BRS-1-80693-14	26

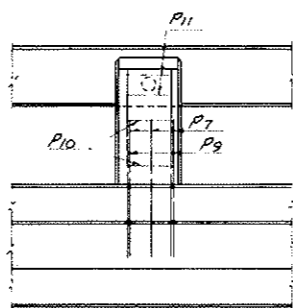


PART ELEVATION

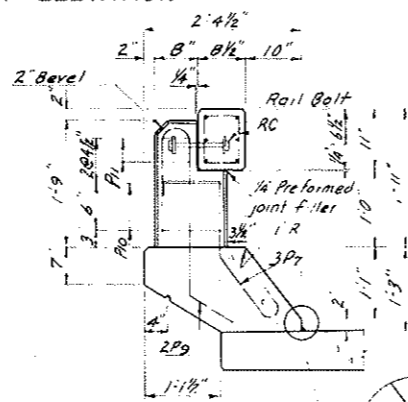
**NOTES:**  
 All concrete above top of curb shall be class AAE-3.  
 "Rubbed Surface Finish" will be required for the roadway face of curbs, the outside vertical faces of curb and slab, and all faces of rails, intermediate posts and end posts.  
 \* Number of bars shown on superstructure sheet.  
 \*\* Number, Length & Splicing information of 'R' Bars shown on superstructure sheet.  
 † Railing and end post quantities are included in slab quantities on superstructure sheet.



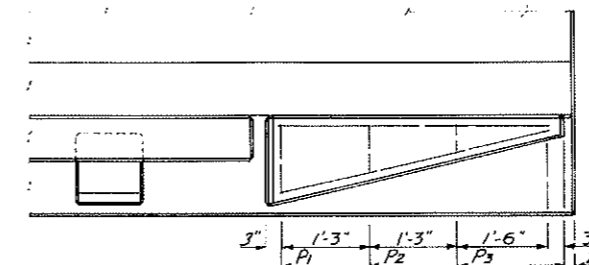
PART PLAN



TYPICAL POST DETAILS



ANCHOR POST DETAILS



PART PLAN

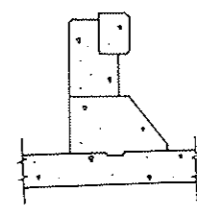
See Dwg. 1806-69.93-12 for end of curb on sidewalk side of bridge.

**BAR LIST**  
(Bars for four end posts)

MARK	NUMBER	SIZE	LENGTH	SHAPE
P1	4	5	7'-10"	Bent
P2	4	5	6'-6"	"
P3	4	5	4'-3"	"
P4	8	5	2'-1"	Str.
P5	8	5	4'-0"	"
P6	8	5	5'-10"	Bent

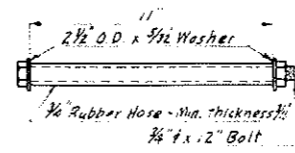
**BAR LIST**  
(Bars for railing & posts)

MARK	NUMBER	SIZE	LENGTH	SHAPE
P7	★	6	4'-4"	Bent
P8	★	6	5'-1"	"
P9	★	5	4'-9"	"
P10	★	3	4'-2"	"
P11	★	3	3'-2"	"
P12	★	3	4'-0"	"
RC	★	3	3'-3"	Bent
R	★	6	★	Str.



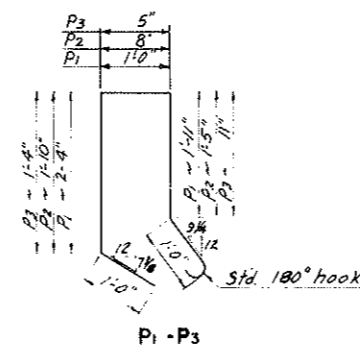
CURB SECTION

Showing post flush with face of curb on sidewalk side.

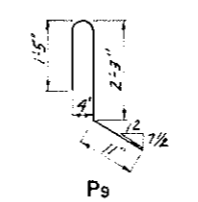


RAIL BOLT

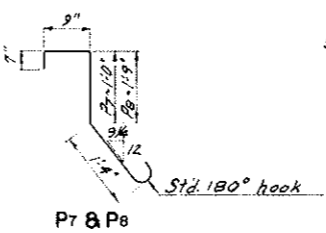
(Galvanized)  
To be included in the unit price bid for class AAE-3 concrete



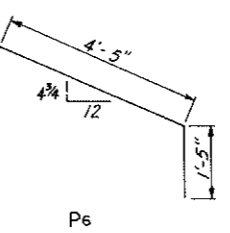
P1-P3



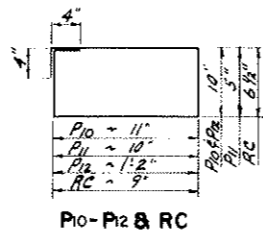
P5



P7 & P8

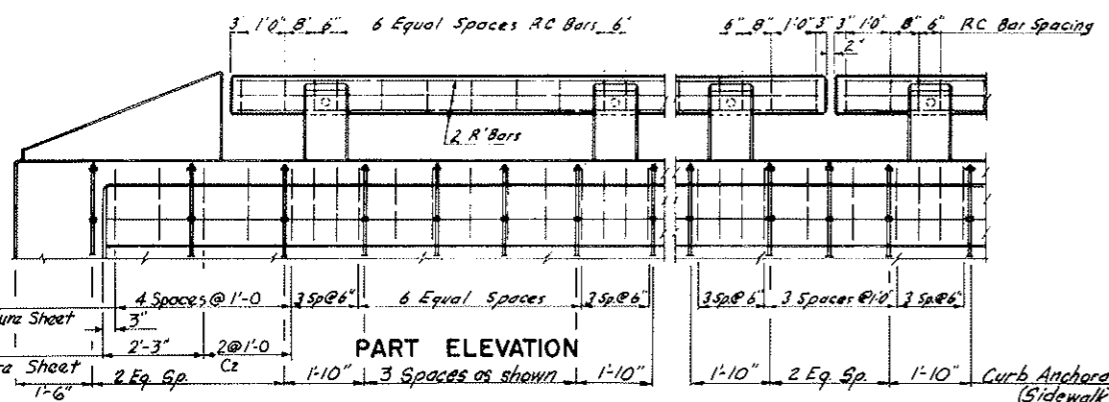


P6



P10-P12 & RC

BENT BAR DETAILS  
Dimensions shown are out to out



PART ELEVATION

C1 Bar Spacing See Superstructure Sheet  
 C2 Bar Spacing See Superstructure Sheet  
 4 Spaces @ 1'-0" 3 Sp @ 6" 6 Equal Spaces 3 Sp @ 6" 3 Sp @ 6" 3 Spaces @ 1'-0" 3 Sp @ 6" 1'-10" 2 Eq. Sp. 1'-10" 3 Spaces as shown 1'-10" Curb Anchorage Units (Sidewalk Side Only)

QUANTITIES 4 END POSTS ±  
 Class AAE-3 Concrete 0.78 Cu Yd.  
 Reinforcing Steel (Grade 60) 177 Lbs.

**RAILING DETAILS**